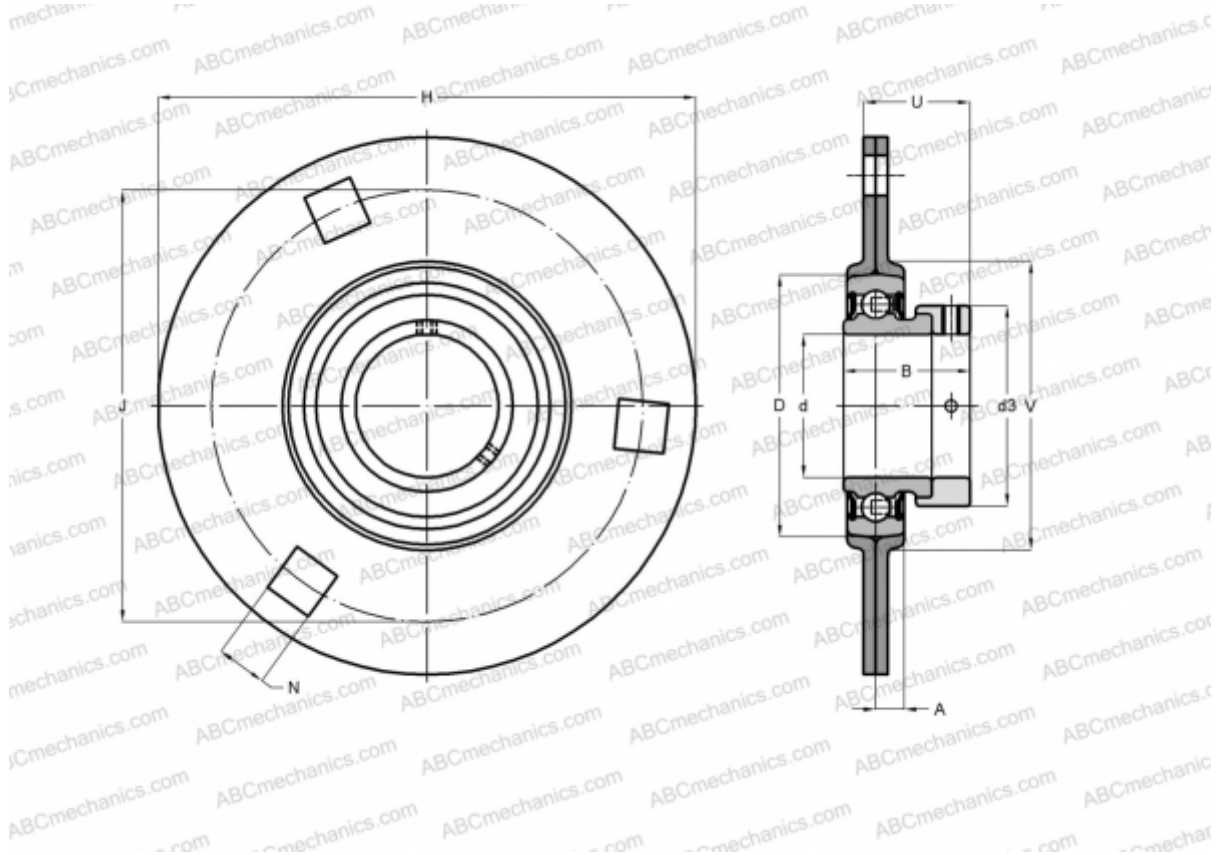


PF 50 FM SKF

Ball bearing units

TYPE: Housing units, Three/four-bolt flanged housing units, Sheet steel housing, Radial insert ball bearing with eccentric locking collar, Type PF..FM (SKF)



Technical specification

DIMENSIONS, MM

d	50,000
D	90,000
B	43,700
H	155,000
A	11,000
J	127,000
N	13,500
d3	67,200
U	36,700
V	102,000

WEIGHT, KG

	1,500
Bearing	YET 210
Housing	PF 90

MANUFACTURER

[SKF](#)

CALCULATION DATA

Basic dynamic load rating, C	35,100 kN
Basic static load rating, Co	23,200 kN
Fatigue load limit, Pu	0,980 kN