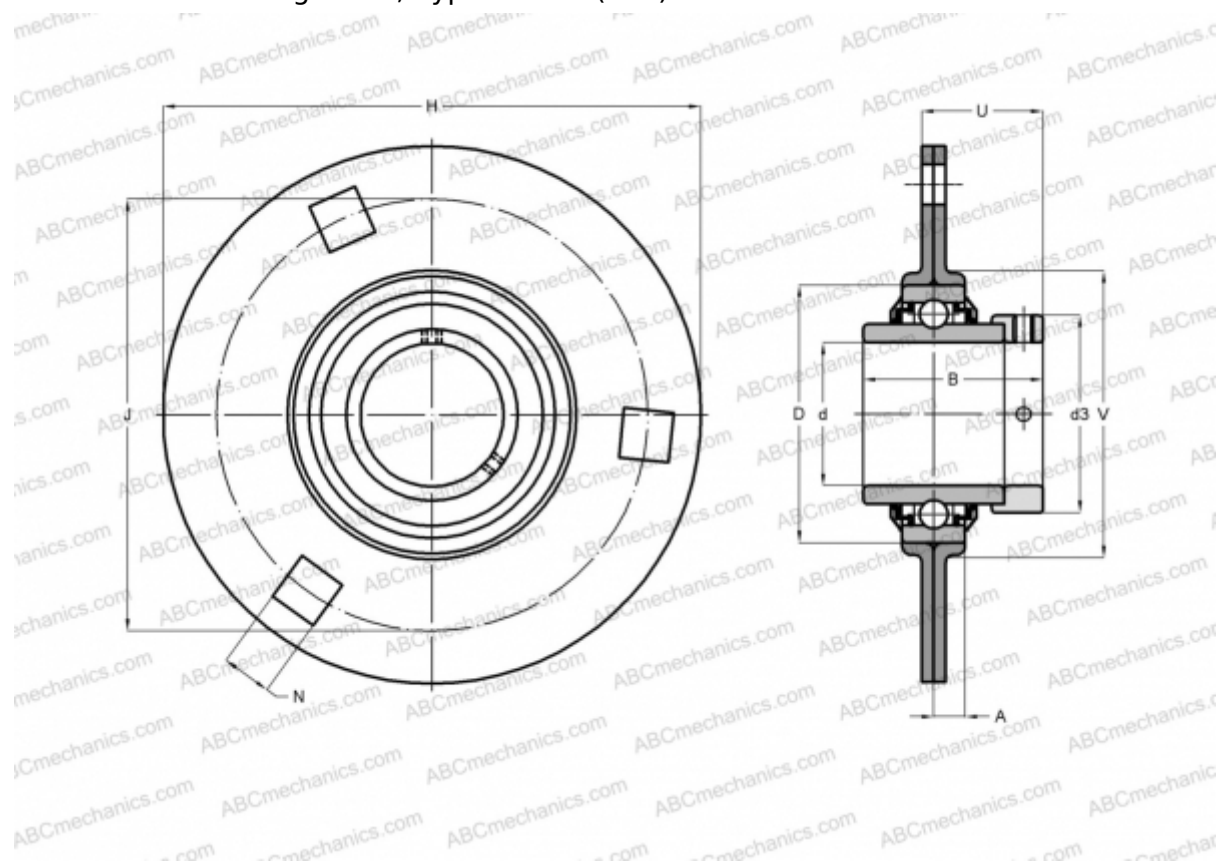


## PF 20 WF SKF

Ball bearing units

TYPE: Housing units, Three/four-bolt flanged housing units, Sheet steel housing, Radial insert ball bearing with eccentric locking collar, Type PF..WF (SKF)



### Technical specification

#### DIMENSIONS, MM

|    |        |
|----|--------|
| d  | 20,000 |
| D  | 47,000 |
| B  | 43,700 |
| H  | 91,000 |
| A  | 8,000  |
| J  | 71,500 |
| N  | 8,700  |
| d3 | 32,400 |
| U  | 28,600 |
| V  | 55,000 |

#### WEIGHT, KG

0,330

|         |            |
|---------|------------|
| Bearing | YEL 204-2F |
| Housing | PF 47      |

#### MANUFACTURER

[SKF](#)

#### CALCULATION DATA

|                              |           |
|------------------------------|-----------|
| Basic dynamic load rating, C | 12,700 kN |
| Basic static load rating, Co | 6,550 kN  |
| Fatigue load limit, Pu       | 0,280 kN  |