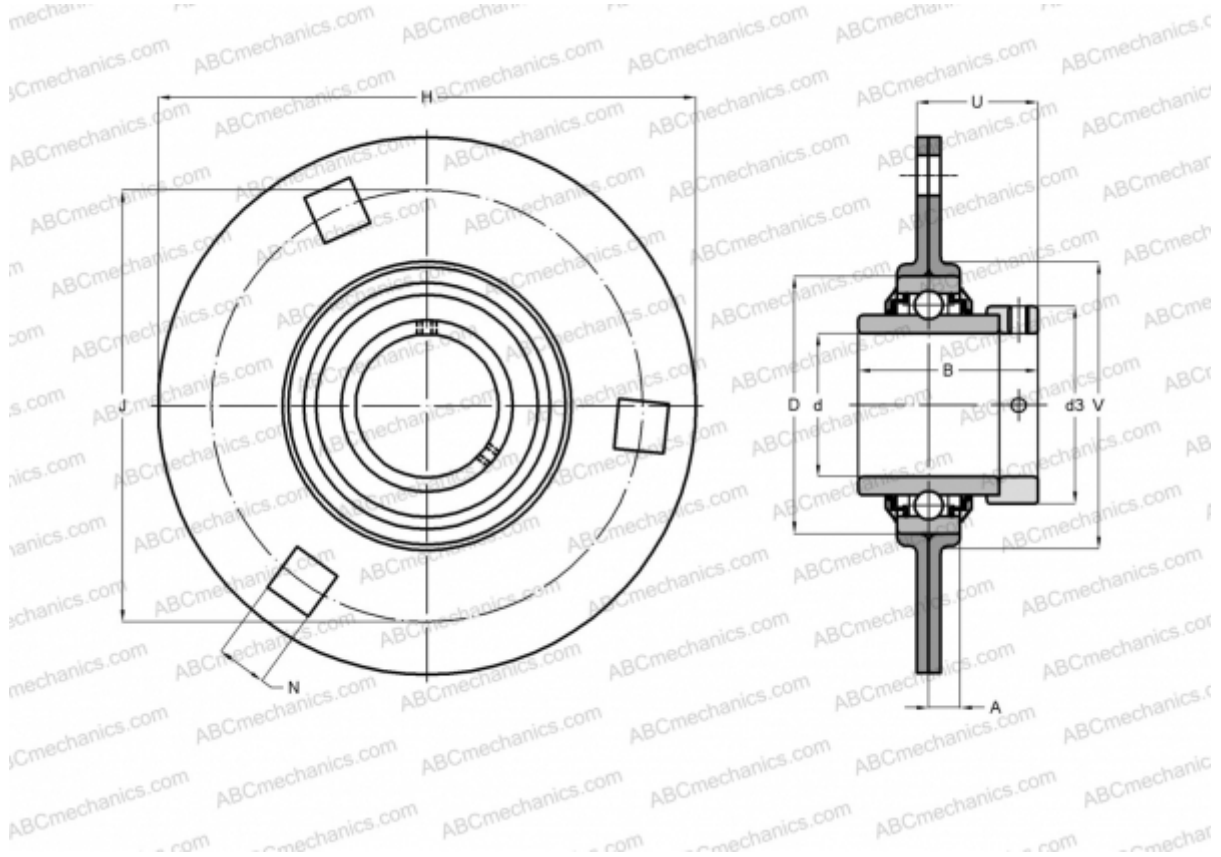


## PF 35 WF SKF

Ball bearing units

TYPE: Housing units, Three/four-bolt flanged housing units, Sheet steel housing, Radial insert ball bearing with eccentric locking collar, Type PF..WF (SKF)



### Technical specification

#### DIMENSIONS, MM

d	35,000
D	72,000
B	51,100
H	122,000
A	10,000
J	100,000
N	11,000
d3	51,100
U	34,800
V	81,000

#### WEIGHT, KG

0,780

Bearing	YEL 207-2F
Housing	PF 72

#### MANUFACTURER

[SKF](#)

#### CALCULATION DATA

Basic dynamic load rating, C	25,500 kN
Basic static load rating, Co	15,300 kN
Fatigue load limit, Pu	0,655 kN