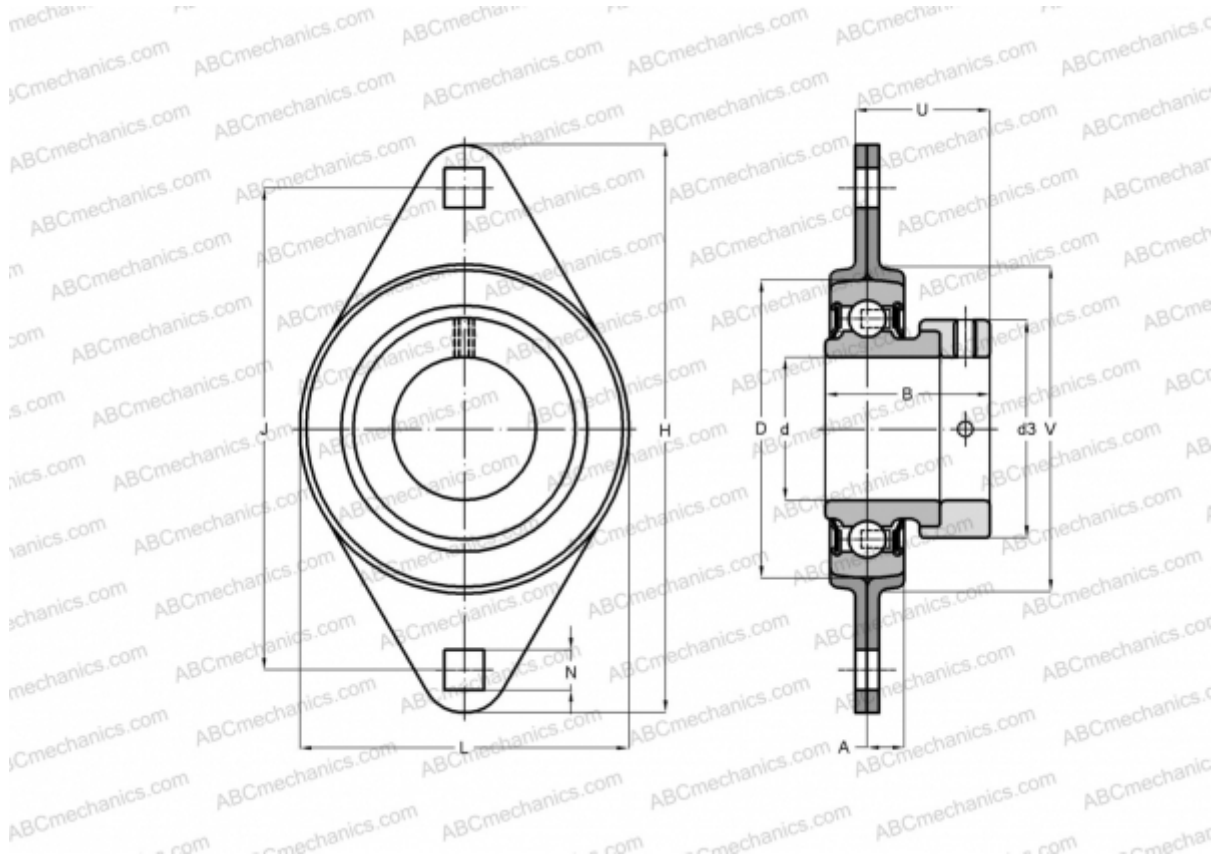


## PFT 1. FM SKF

Ball bearing units

TYPE: Housing units, Two-bolt flanged housing units, Sheet steel housing, Radial insert ball bearing with eccentric locking collar, Type PFT..FM (SKF), inch



### Technical specification

#### DIMENSIONS, MM

d	25,400
D	52,000
B	31,000
L	71,000
H	95,000
A	9,000
J	76,000
N	8,700
d3	37,400
U	25,500
V	60,000

#### WEIGHT, KG

0,290

Bearing

YET 205-100

Housing

PFT 52

#### MANUFACTURER

[SKF](#)

#### CALCULATION DATA

Basic dynamic load rating, C	14,000 kN
Basic static load rating, Co	7,800 kN
Fatigue load limit, Pu	0,335 kN