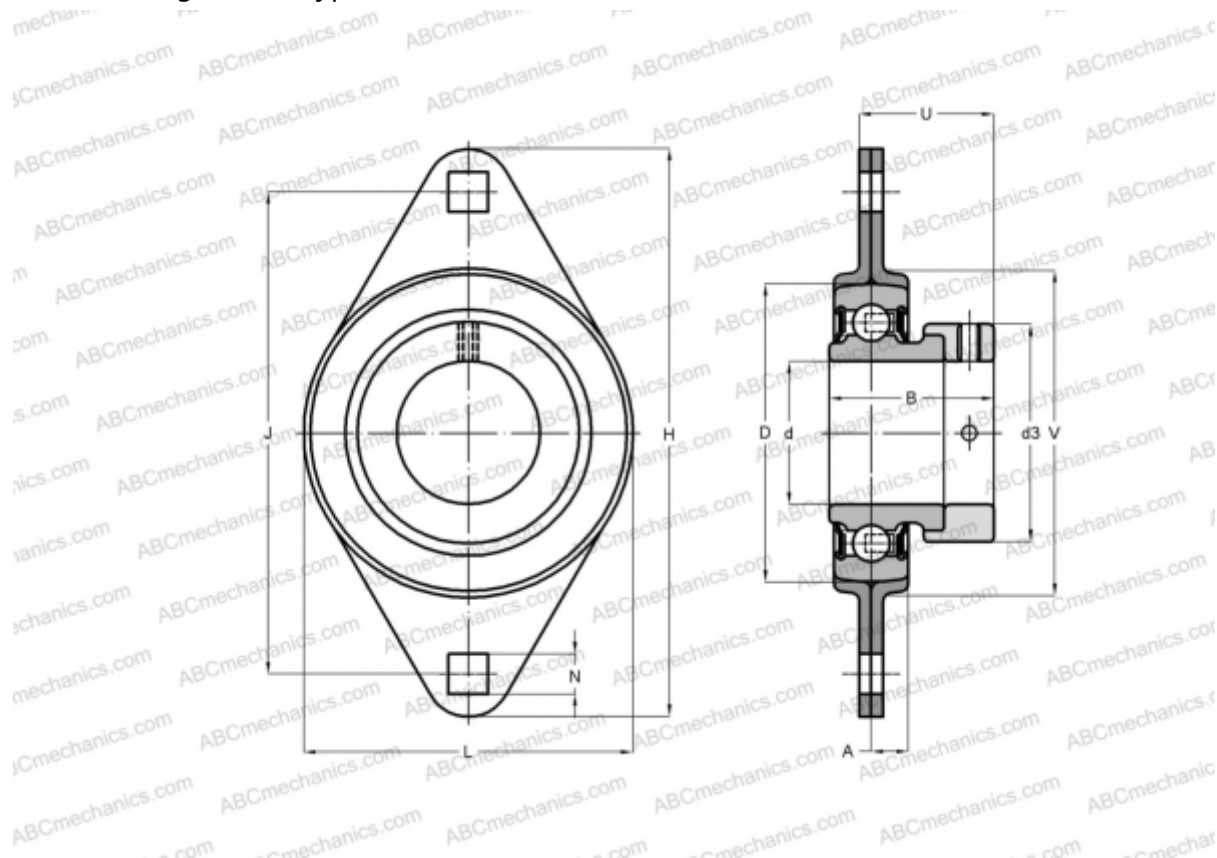


PFT 1.1/2 FM SKF

Ball bearing units

TYPE: Housing units, Two-bolt flanged housing units, Sheet steel housing, Radial insert ball bearing with eccentric locking collar, Type PFT..FM (SKF), inch



Technical specification

DIMENSIONS, MM

| | |
|----|---------|
| d | 38,100 |
| D | 80,000 |
| B | 43,700 |
| L | 104,000 |
| H | 148,000 |
| A | 10,000 |
| J | 119,000 |
| N | 13,500 |
| d3 | 56,500 |
| U | 36,200 |
| V | 91,000 |

WEIGHT, KG 0,980

Bearing YET 208-108

Housing PFT 80

MANUFACTURER

[SKF](#)

CALCULATION DATA

| | |
|------------------------------|-----------|
| Basic dynamic load rating, C | 30,700 kN |
| Basic static load rating, Co | 19,000 kN |
| Fatigue load limit, Pu | 0,800 kN |