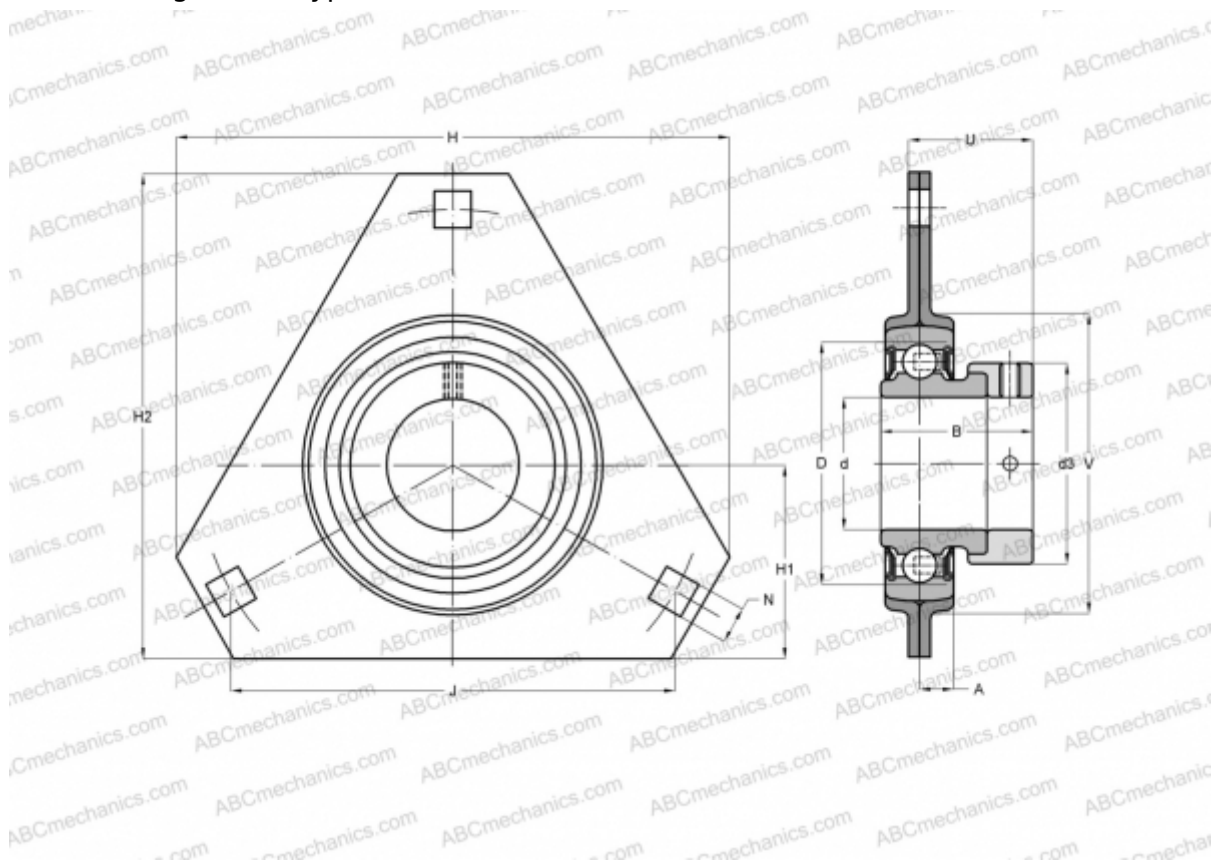


PFD 1.1/2 FM SKF

Ball bearing units

TYPE: Housing units, Three-bolt flanged housing units, Sheet steel housing, Radial insert ball bearing with eccentric locking collar, Type PFD..FM (SKF), inch



Technical specification

DIMENSIONS, MM

d	38,100
D	80,000
B	43,700
H	148,000
A	10,000
J	119,000
H1	53,000
N	13,500
d3	56,500
U	36,200
V	91,000

WEIGHT, KG 1,050

Bearing YET 208-108

Housing

PFD 80

MANUFACTURER

[SKF](#)

CALCULATION DATA

Basic dynamic load rating, C	30,700 kN
Basic static load rating, Co	19,000 kN
Fatigue load limit, Pu	0,800 kN