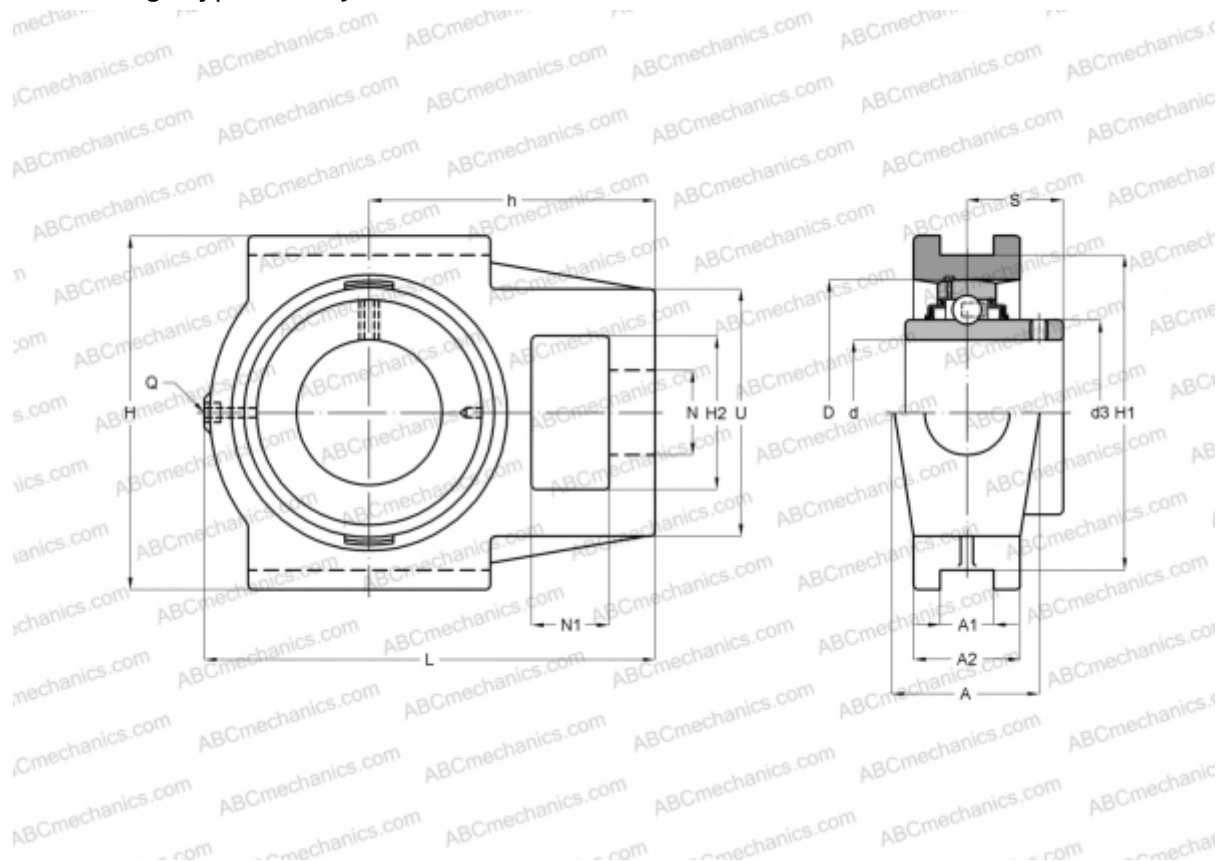


## TUJ 35 TF SKF

Ball bearing units

TYPE: Housing units, Take-up housing units, Cast iron housing, Radial insert ball bearing with grub screws in inner ring, Type TU/TUJ..TF (SKF)



### Technical specification

#### DIMENSIONS, MM

d	35,000
D	72,000
B	42,900
L	129,000
H	103,000
A	37,000
H2	38,000
A1	12,000
A2	30,000
H1	89,000
N	22,000
N1	17,000
S	25,400
U	64,000
h	78,000

#### WEIGHT, KG

	1,500
Bearing	YAR 207-2F
Housing	TUJ 507

#### MANUFACTURER

[SKF](#)

#### CALCULATION DATA

Basic dynamic load rating, C	25,500 kN
Basic static load rating, Co	15,300 kN
Fatigue load limit, Pu	0,655 kN
Limiting speed	5300 r/min