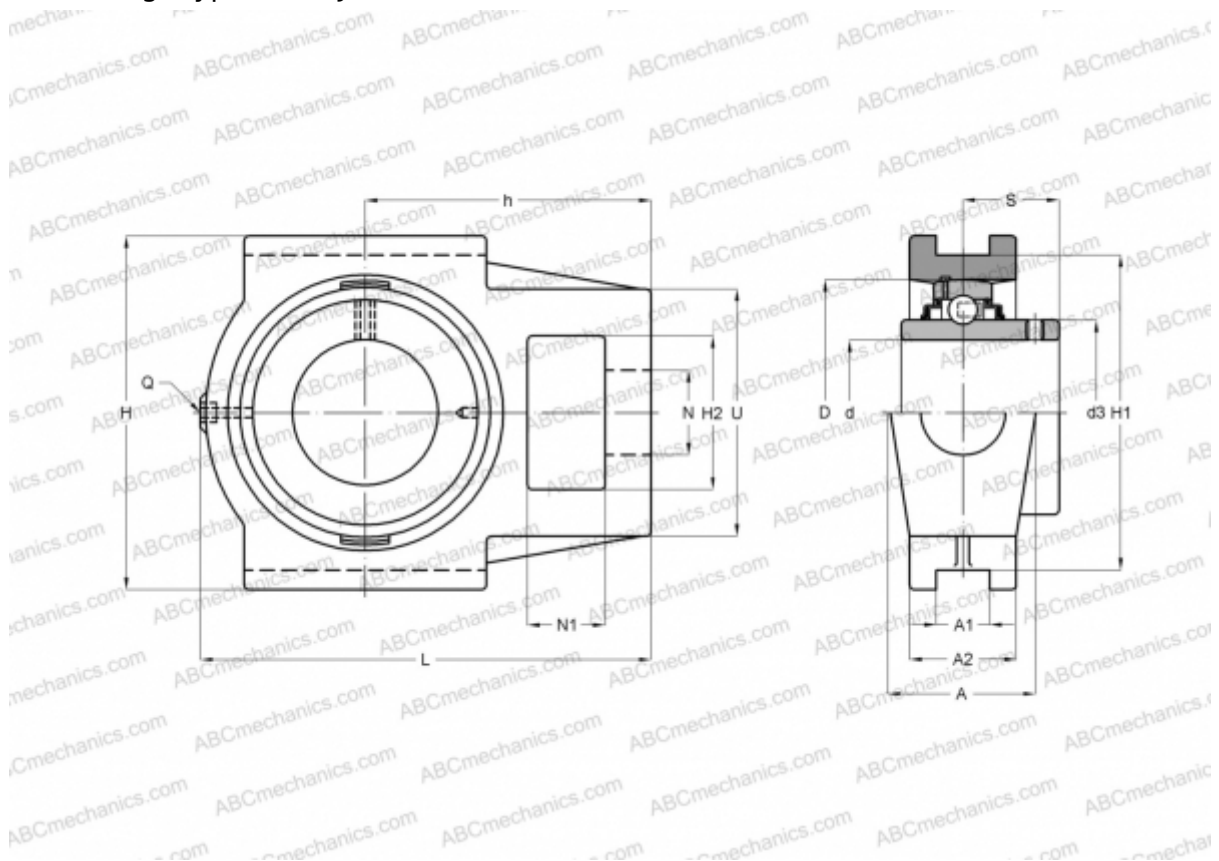


TUJ 40 TF SKF

Ball bearing units

TYPE: Housing units, Take-up housing units, Cast iron housing, Radial insert ball bearing with grub screws in inner ring, Type TU/TUJ..TF (SKF)



Technical specification

DIMENSIONS, MM

d	40,000
D	80,000
B	49,200
L	145,000
H	115,000
A	49,000
H2	50,000
A1	16,000
A2	33,000
H1	102,000
N	29,000
N1	19,000
S	30,200
U	83,000
h	88,000

WEIGHT, KG

Bearing	2,350
Housing	YAR 208-2F TUJ 508

MANUFACTURER

[SKF](#)

CALCULATION DATA

Basic dynamic load rating, C	30,700 kN
Basic static load rating, Co	19,000 kN
Fatigue load limit, Pu	0,800 kN
Limiting speed	4800 r/min