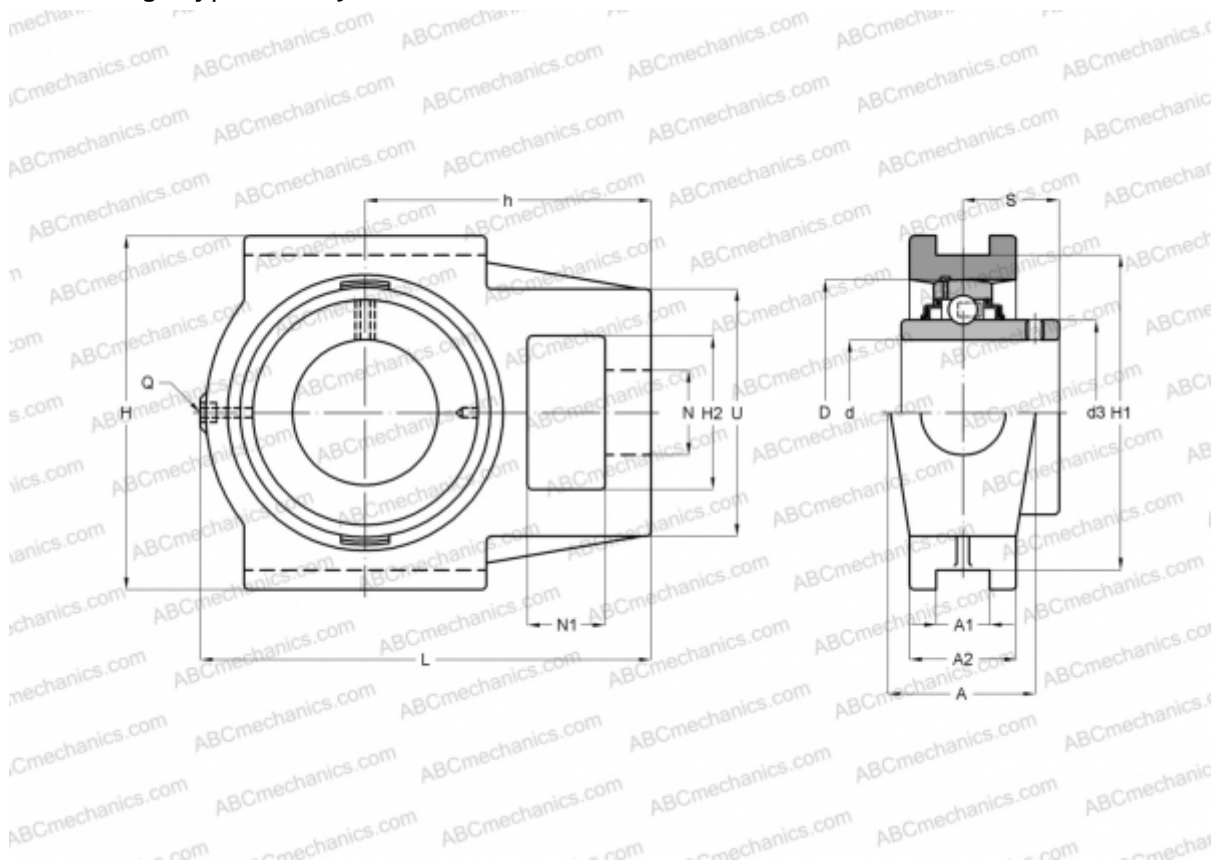


## TU 55 TF SKF

Ball bearing units

TYPE: Housing units, Take-up housing units, Cast iron housing, Radial insert ball bearing with grub screws in inner ring, Type TU/TUJ..TF (SKF)



### Technical specification

#### DIMENSIONS, MM

d	55,000
D	100,000
B	55,600
L	171,000
H	146,000
A	64,000
H2	64,000
A1	27,000
A2	41,000
H1	130,000
N	35,000
N1	25,000
S	33,400
U	102,000
h	106,000

#### WEIGHT, KG

	3,850
Bearing	YAR 211-2F
Housing	TU 511 M
Protective cover	ECY 211

#### MANUFACTURER

[SKF](#)

#### CALCULATION DATA

Basic dynamic load rating, C	43,600 kN
Basic static load rating, Co	29,000 kN
Fatigue load limit, Pu	1,250 kN
Limiting speed	3600 r/min