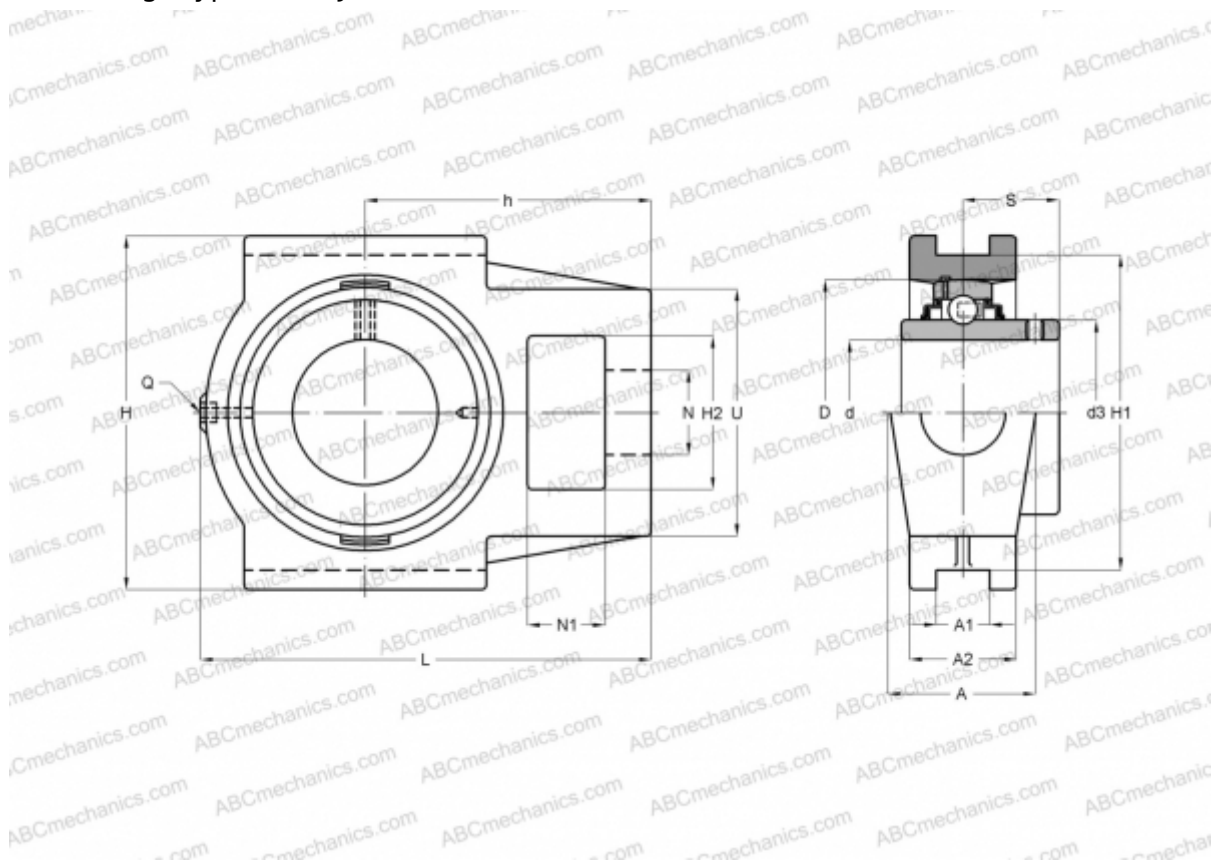


## TUJ 60 TF SKF

Ball bearing units

TYPE: Housing units, Take-up housing units, Cast iron housing, Radial insert ball bearing with grub screws in inner ring, Type TU/TUJ..TF (SKF)



### Technical specification

#### DIMENSIONS, MM

d	60,000
D	110,000
B	65,100
L	186,000
H	146,000
A	60,000
H2	63,500
A1	22,000
A2	44,000
H1	130,000
N	35,000
N1	32,000
S	39,700
U	102,000
h	118,000

#### WEIGHT, KG

Bearing	5,000
Housing	YAR 212-2F TUJ 512

#### MANUFACTURER

[SKF](#)

#### CALCULATION DATA

Basic dynamic load rating, C	52,700 kN
Basic static load rating, Co	36,000 kN
Fatigue load limit, Pu	1,530 kN
Limiting speed	3400 r/min