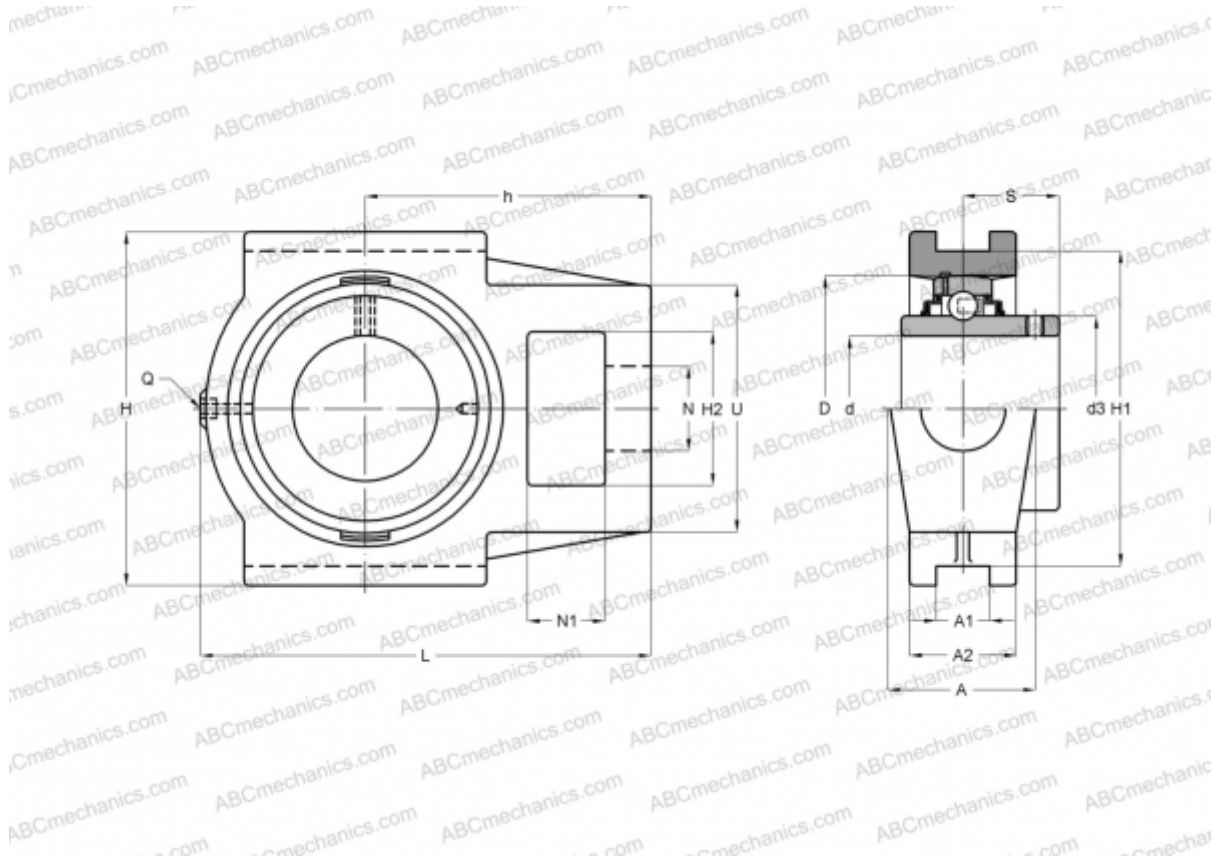


TU 1.1/16 TF SKF

Ball bearing units

TYPE: Housing units, Take-up housing units, Cast iron housing, Radial insert ball bearing with grub screws in inner ring, Type TU..TF (SKF), inch



Technical specification

DIMENSIONS, MM

| | |
|----|---------|
| d | 26,988 |
| D | 62,000 |
| B | 38,100 |
| L | 114,000 |
| H | 104,000 |
| A | 37,000 |
| H2 | 37,000 |
| A1 | 13,500 |
| A2 | 28,000 |
| H1 | 89,000 |
| N | 22,000 |
| N1 | 16,000 |
| S | 22,200 |
| U | 56,000 |
| h | 70,000 |

WEIGHT, KG

| | |
|---------|--------------|
| | 1,300 |
| Bearing | YAR 206-101- |
| Housing | TU 506 U |

MANUFACTURER

[SKF](#)

CALCULATION DATA

| | |
|------------------------------|------------|
| Basic dynamic load rating, C | 19,500 kN |
| Basic static load rating, Co | 11,200 kN |
| Fatigue load limit, Pu | 0,475 kN |
| Limiting speed | 6300 r/min |