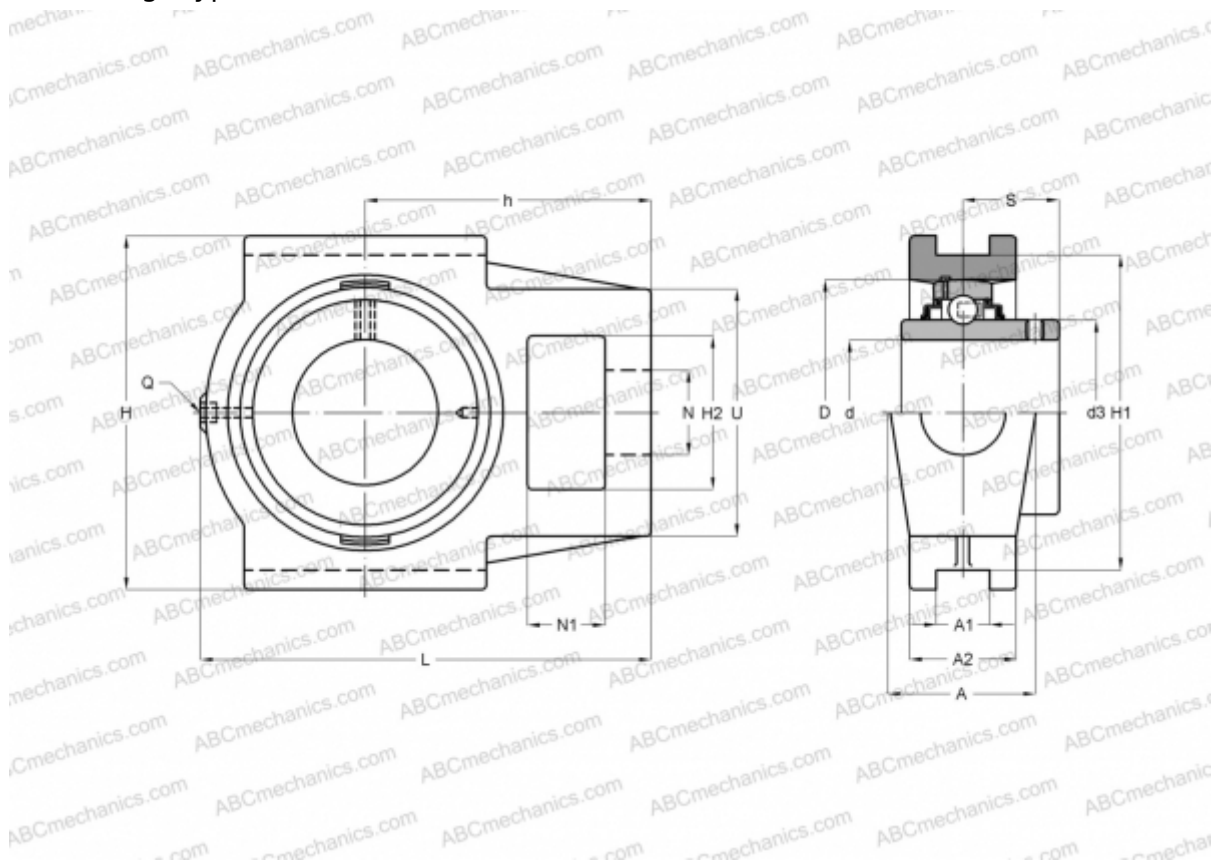


TU 1.1/2 TF SKF

Ball bearing units

TYPE: Housing units, Take-up housing units, Cast iron housing, Radial insert ball bearing with grub screws in inner ring, Type TU..TF (SKF), inch



Technical specification

DIMENSIONS, MM

d	38,100
D	80,000
B	49,200
L	145,000
H	115,000
A	49,000
H2	50,000
A1	17,500
A2	33,000
H1	101,000
N	29,000
N1	19,000
S	30,200
U	83,000
h	88,000

WEIGHT, KG

	2,250
Bearing	YAR 208-108-
Housing	TU 508 M

MANUFACTURER

[SKF](#)

CALCULATION DATA

Basic dynamic load rating, C	30,700 kN
Basic static load rating, Co	19,000 kN
Fatigue load limit, Pu	0,800 kN
Limiting speed	5300 r/min