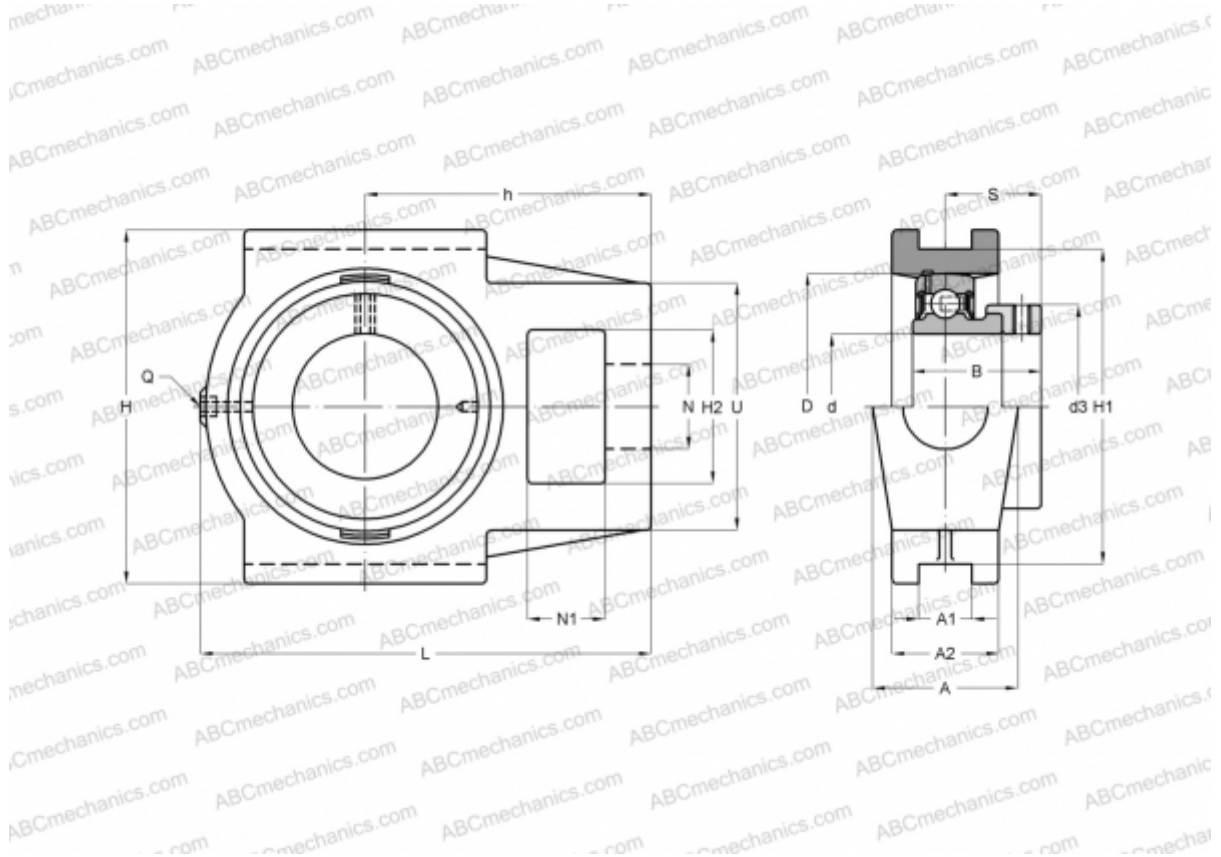


## TU 25 FM SKF

Ball bearing units

TYPE: Housing units, Take-up housing units, Cast iron housing, Radial insert ball bearing with eccentric locking collar, Type TU..FM (SKF)



### Technical specification

#### DIMENSIONS, MM

d	25,000
D	52,000
B	31,000
L	100,000
H	91,000
A	34,000
H2	33,000
A1	13,500
A2	25,000
H1	76,000
N	19,000
N1	16,000
S	23,500
d3	37,400
U	53,000

#### DIMENSIONS, MM

h	64,000
---	--------

#### WEIGHT, KG

0,770	
Bearing	YET 205
Housing	TU 505 M
Protective cover	ECY 205

#### MANUFACTURER

[SKF](#)

#### CALCULATION DATA

Basic dynamic load rating, C	14,000 kN
Basic static load rating, Co	7,800 kN
Fatigue load limit, Pu	0,335 kN
Limiting speed	7000 r/min