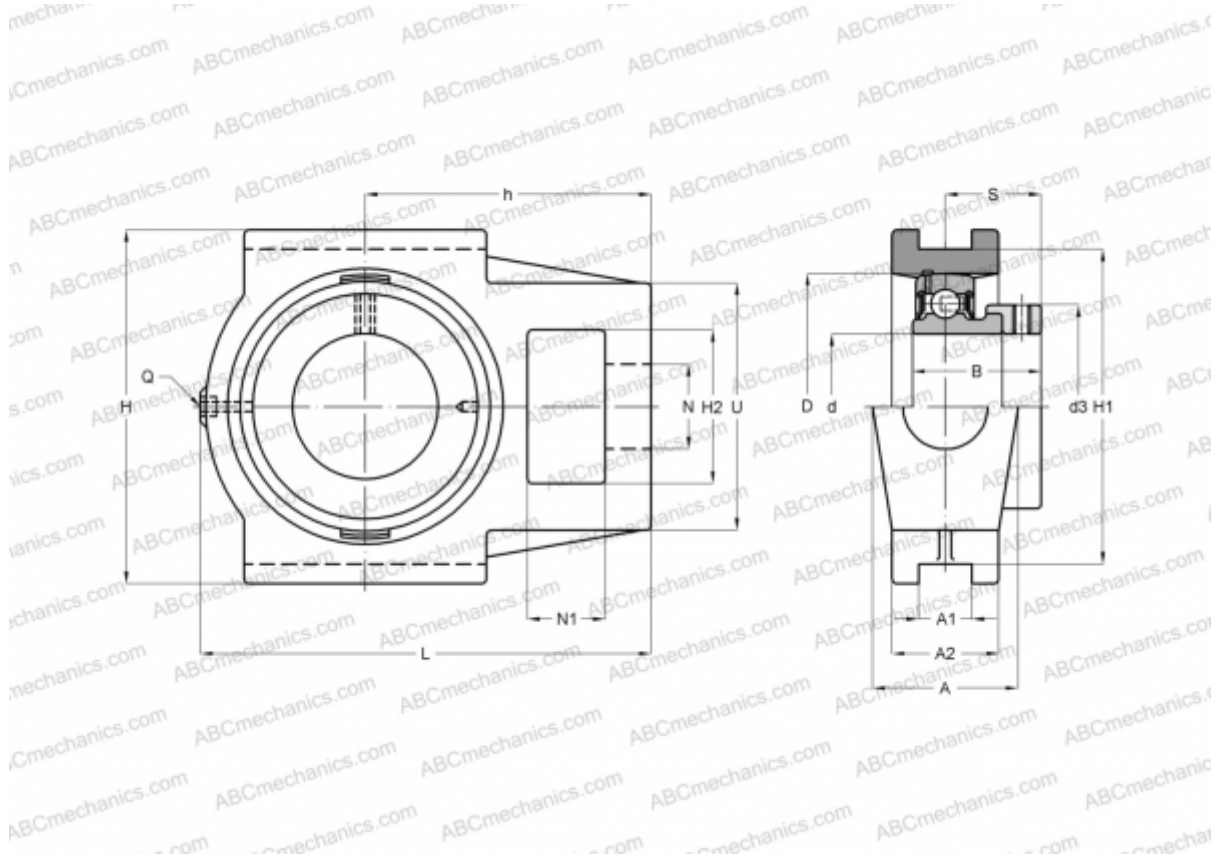


TU 30 FM SKF

Ball bearing units

TYPE: Housing units, Take-up housing units, Cast iron housing, Radial insert ball bearing with eccentric locking collar, Type TU..FM (SKF)



Technical specification

DIMENSIONS, MM

d	30,000
D	62,000
B	35,700
L	114,000
H	104,000
A	37,000
H2	37,000
A1	13,500
A2	28,000
H1	89,000
N	22,000
N1	16,000
S	26,700
d3	44,100
U	56,000

DIMENSIONS, MM

h	70,000
---	--------

WEIGHT, KG

Weight	1,250
Bearing	YET 206
Housing	TU 506 M
Protective cover	ECY 206

MANUFACTURER

[SKF](#)

CALCULATION DATA

Basic dynamic load rating, C	19,500 kN
Basic static load rating, Co	11,200 kN
Fatigue load limit, Pu	0,475 kN
Limiting speed	6300 r/min