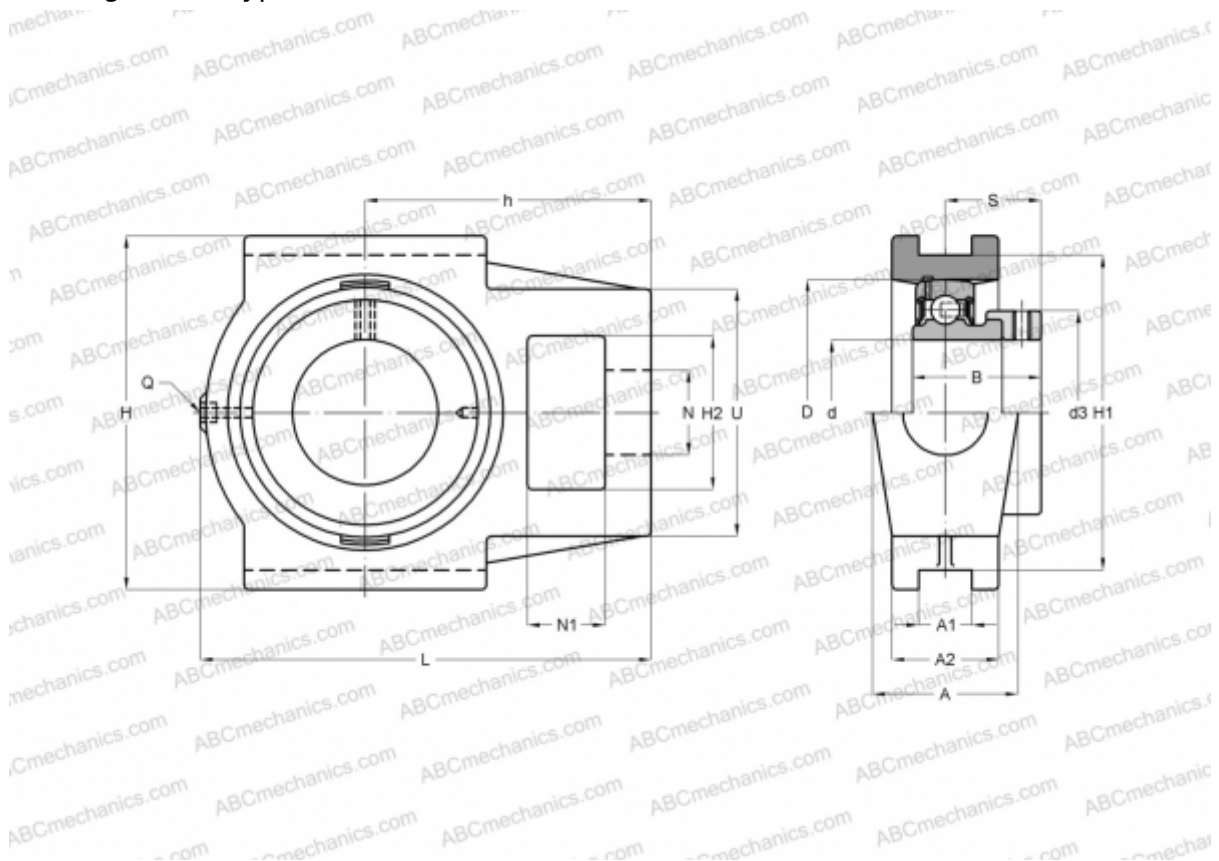


## TU 55 FM SKF

Ball bearing units

TYPE: Housing units, Take-up housing units, Cast iron housing, Radial insert ball bearing with eccentric locking collar, Type TU..FM (SKF)



### Technical specification

#### DIMENSIONS, MM

|    |         |
|----|---------|
| d  | 55,000  |
| D  | 100,000 |
| B  | 48,400  |
| L  | 171,000 |
| H  | 146,000 |
| A  | 64,000  |
| H2 | 64,000  |
| A1 | 27,000  |
| A2 | 41,000  |
| H1 | 130,000 |
| N  | 35,000  |
| N1 | 25,000  |
| S  | 36,400  |
| d3 | 74,500  |
| U  | 102,000 |

#### DIMENSIONS, MM

|   |         |
|---|---------|
| h | 106,000 |
|---|---------|

#### WEIGHT, KG

|                  |          |
|------------------|----------|
|                  | 3,850    |
| Bearing          | YET 211  |
| Housing          | TU 511 M |
| Protective cover | ECY 211  |

#### MANUFACTURER

[SKF](#)

#### CALCULATION DATA

|                              |            |
|------------------------------|------------|
| Basic dynamic load rating, C | 43,600 kN  |
| Basic static load rating, Co | 29,000 kN  |
| Fatigue load limit, Pu       | 1,250 kN   |
| Limiting speed               | 3600 r/min |