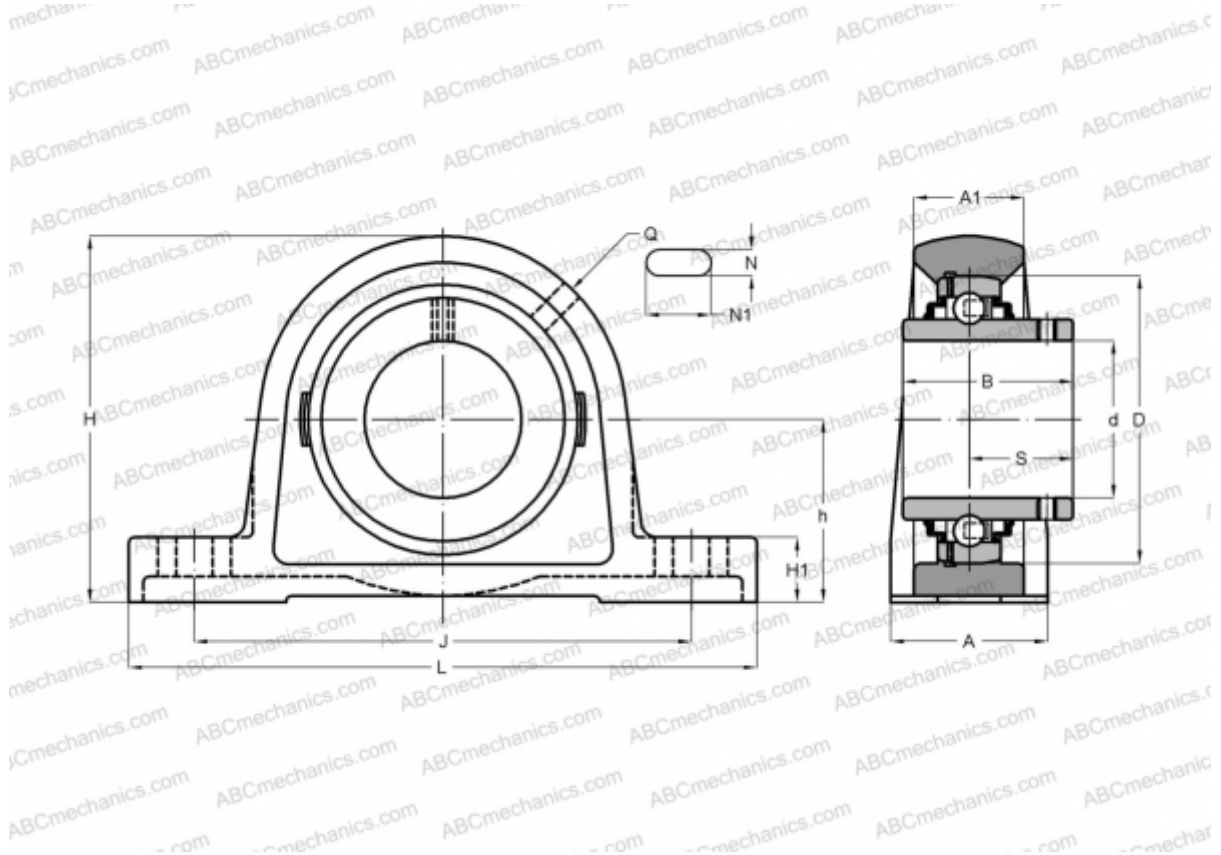


SY 40 TF/VA201 SKF

Ball bearing units

TYPE: Housing units, Plummer block, Cast iron housing, Radial insert ball bearing with grub screws in inner ring, Type SY..TF/VA201, high temperature (-40°/+250°) (SKF)



Technical specification

DIMENSIONS, MM

d	40,000
D	80,000
B	49,200
L	175,000
H	99,000
A	48,000
J	135,500
H1	19,000
N	24,500
N1	24,500
h	49,200

WEIGHT, KG 1,800

Bearing YAR 208-2F/VA201

Housing SY 508

MANUFACTURER

U/VA228
[SKF](#)

CALCULATION DATA

Basic dynamic load rating, C	30,700 kN
Basic static load rating, Co	19,000 kN
Limiting speed	70 r/min
Operating temperature max	250 °C