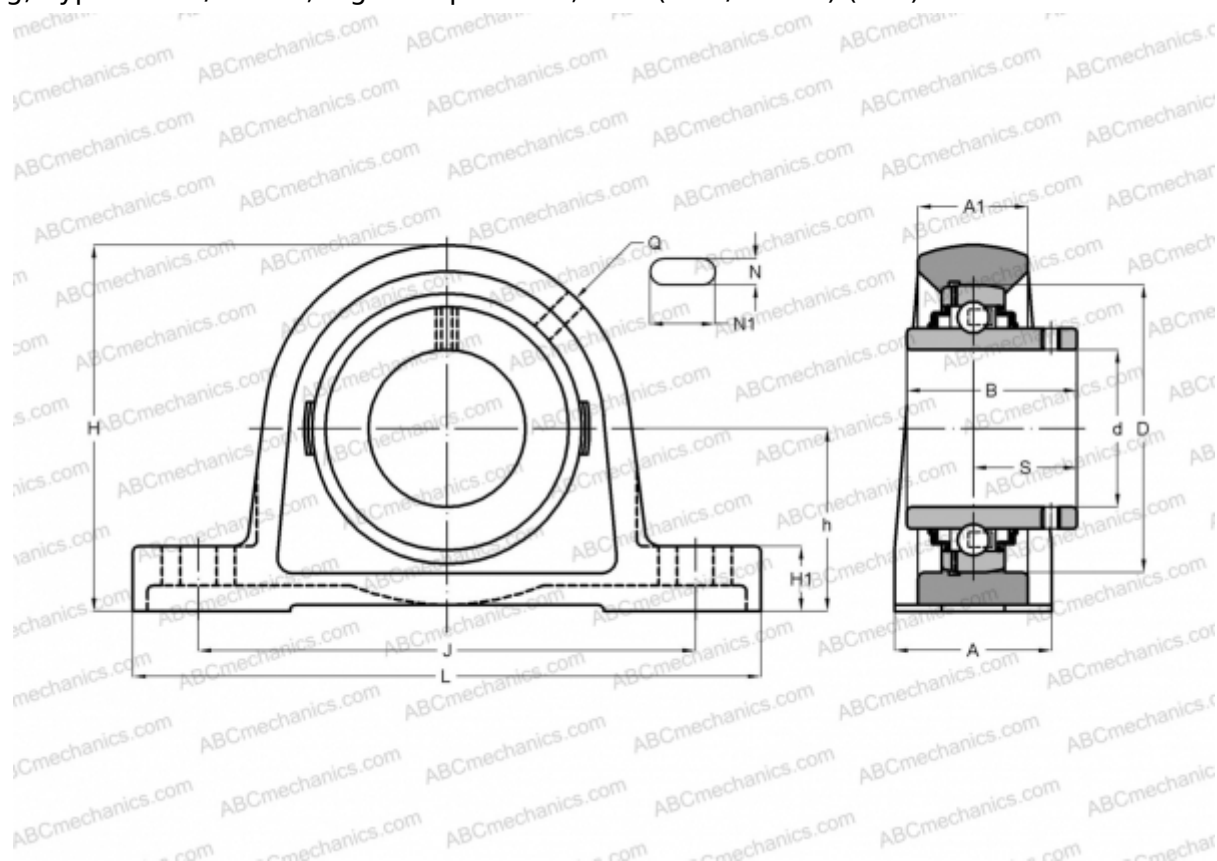


## SY 1.3/16 TF/VA201 SKF

Ball bearing units

TYPE: Housing units, Plummer block, Cast iron housing, Radial insert ball bearing with grub screws in inner ring, Type SY..TF/VA201, high temperature, inch (-40°/+250°) (SKF)



### Technical specification

#### DIMENSIONS, MM

d	30,162
D	62,000
B	38,100
L	152,000
H	82,000
A	40,000
J	117,500
H1	17,000
N	14,000
N1	23,500
h	42,900

**WEIGHT, KG** 1,100

Bearing YAR 206-103  
2F/VA201

Housing SY 506

#### MANUFACTURER

U/VA228  
[SKF](#)

#### CALCULATION DATA

Basic dynamic load rating, C	19,500 kN
Basic static load rating, Co	11,200 kN
Limiting speed	90 r/min
Operating temperature max	250 °C