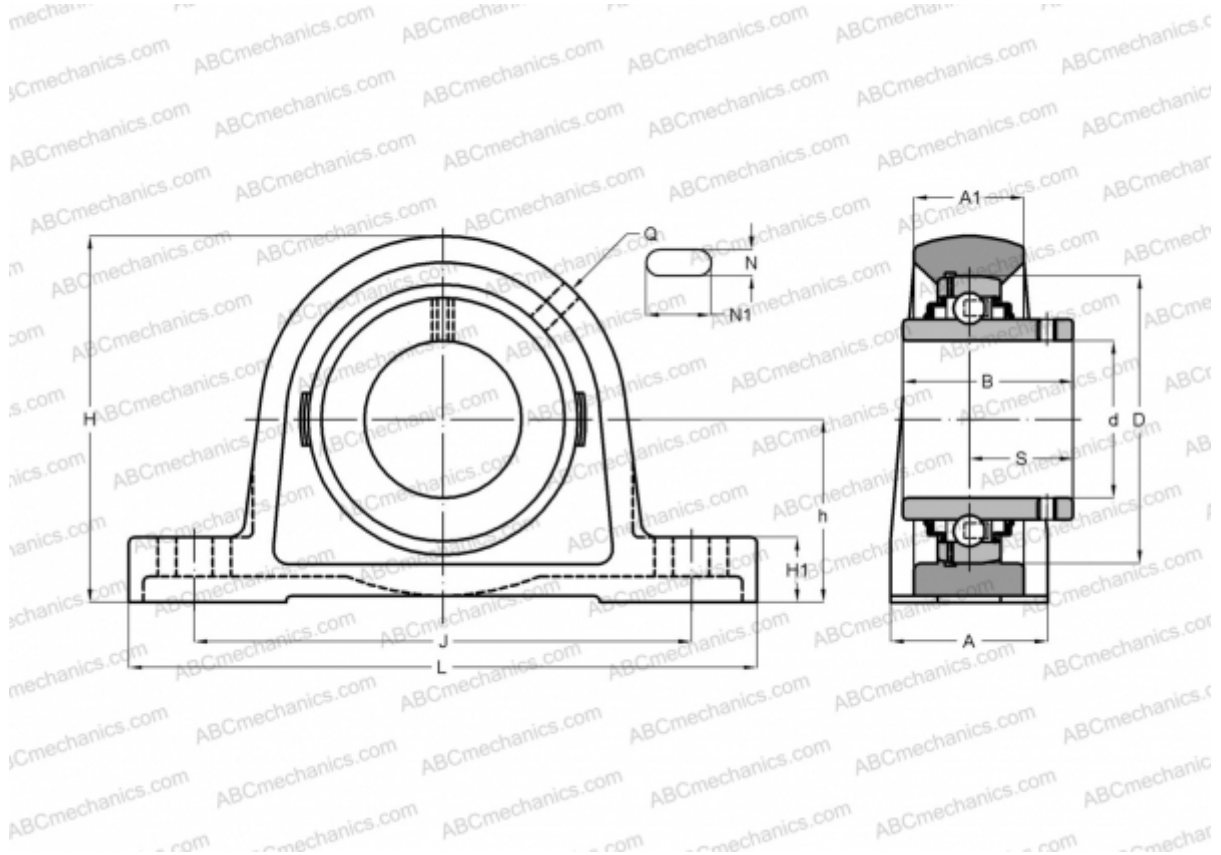


## SY 1.7/16 TF/VA201 SKF

Ball bearing units

TYPE: Housing units, Plummer block, Cast iron housing, Radial insert ball bearing with grub screws in inner ring, Type SY..TF/VA201, high temperature, inch (-40°/+250°) (SKF)



### Technical specification

#### DIMENSIONS, MM

d	36,512
D	72,000
B	42,900
L	160,000
H	93,000
A	45,000
J	126,000
H1	19,000
N	14,000
N1	21,000
h	47,600

#### WEIGHT, KG

1,450

Bearing

YAR 207-107  
2F/VA201

Housing

SY 507

#### MANUFACTURER

U/VA228  
[SKF](#)

#### CALCULATION DATA

Basic dynamic load rating, C	25,500 kN
Basic static load rating, Co	15,300 kN
Limiting speed	80 r/min
Operating temperature max	250 °C