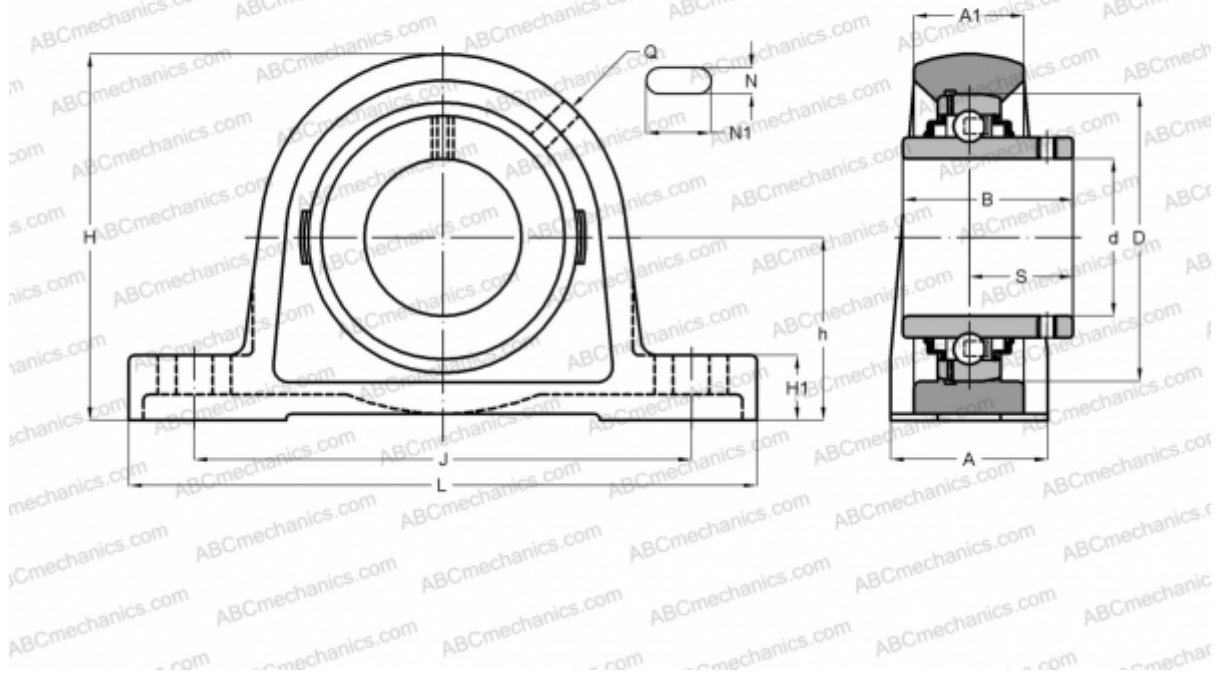


SY 3/4 TF/VA228 SKF

Ball bearing units

TYPE: Housing units, Plummer block, Cast iron housing, Radial insert ball bearing with grub screws in inner ring, Type SY..TF/VA228, high temperature, for high demands, inch (-150°/+350°) (SKF)



Technical specification

DIMENSIONS, MM

d	19,050
D	47,000
B	31,000
L	127,000
H	64,000
A	32,000
J	97,000
H1	14,000
N	11,500
N1	20,500
h	33,300

WEIGHT, KG 0,570

Bearing YAR 204-012
2F/VA228

Housing SY 504

MANUFACTURER

U/VA228
[SKF](#)

CALCULATION DATA

Basic dynamic load rating, C	12,700 kN
Basic static load rating, Co	6,550 kN
Limiting speed	260 r/min
Operating temperature max	350 °C