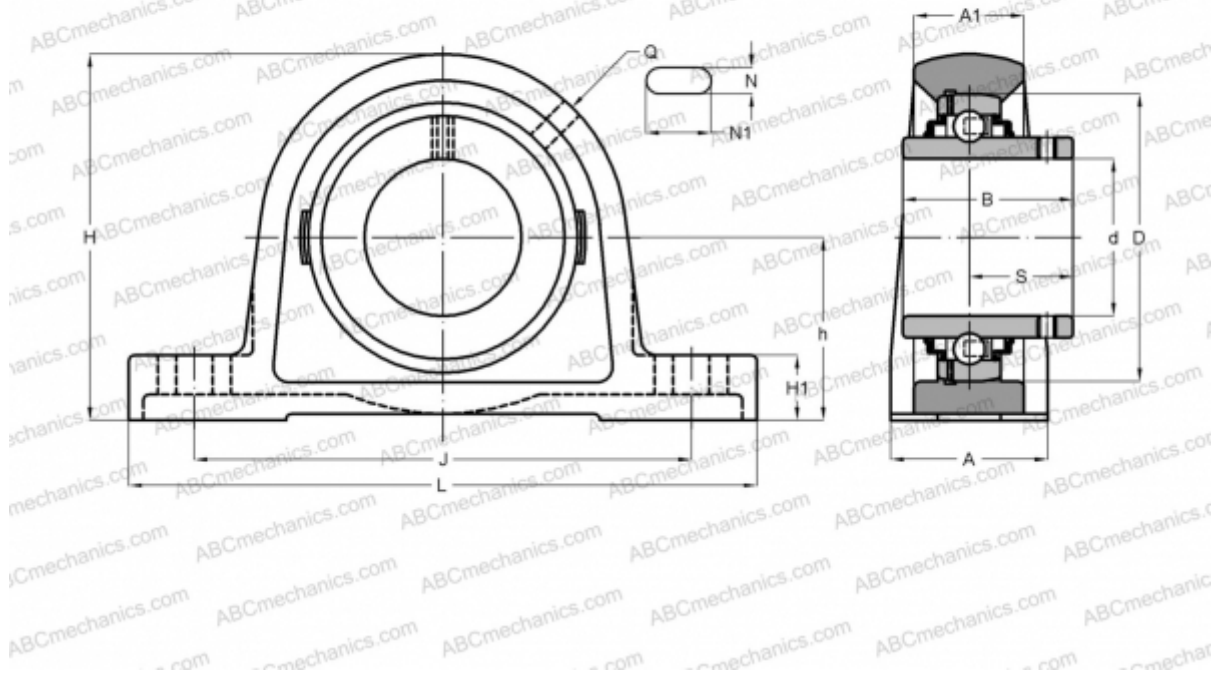


## SY 2.3/16 TF/VA228 SKF

Ball bearing units

TYPE: Housing units, Plummer block, Cast iron housing, Radial insert ball bearing with grub screws in inner ring, Type SY..TF/VA228, high temperature, for high demands, inch (-150°/+350°) (SKF)



### Technical specification

#### DIMENSIONS, MM

d	55,562
D	100,000
B	55,600
L	219,000
H	127,000
A	60,000
J	171,500
H1	23,800
N	18,000
N1	27,500
h	63,500

#### WEIGHT, KG

3,550

Bearing

YAR 211-203  
2F/VA228

Housing

SY 511

#### MANUFACTURER

U/VA228  
[SKF](#)

#### CALCULATION DATA

Basic dynamic load rating, C	43,600 kN
Basic static load rating, Co	29,000 kN
Limiting speed	110 r/min
Operating temperature max	350 °C