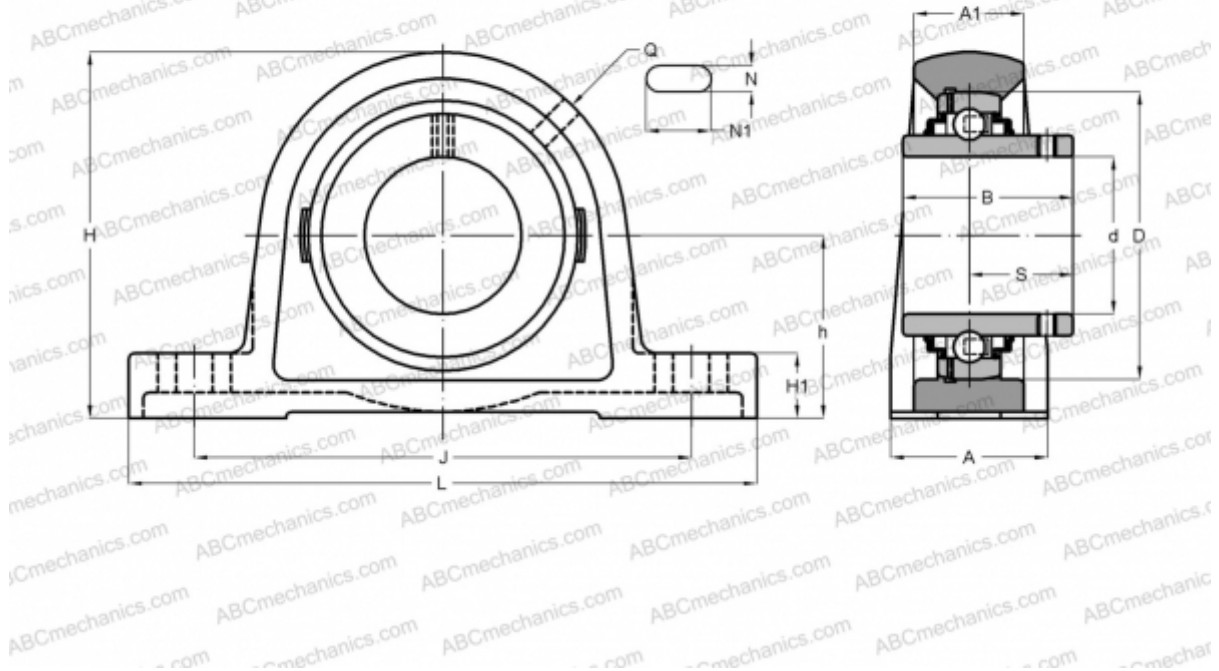


SY 2.7/16 TF/VA228 SKF

Ball bearing units

TYPE: Housing units, Plummer block, Cast iron housing, Radial insert ball bearing with grub screws in inner ring, Type SY..TF/VA228, high temperature, for high demands, inch (-150°/+350°) (SKF)



Technical specification

DIMENSIONS, MM

| | |
|----|---------|
| d | 61,912 |
| D | 110,000 |
| B | 65,100 |
| L | 240,000 |
| H | 139,700 |
| A | 60,000 |
| J | 190,500 |
| H1 | 26,000 |
| N | 18,000 |
| N1 | 29,000 |
| h | 69,900 |

WEIGHT, KG

4,450

Bearing

YAR 212-207
2F/VA228

Housing

SY 512

MANUFACTURER

U/VA228
[SKF](#)

CALCULATION DATA

| | |
|------------------------------|-----------|
| Basic dynamic load rating, C | 52,700 kN |
| Basic static load rating, Co | 36,000 kN |
| Limiting speed | 100 r/min |
| Operating temperature max | 350 °C |