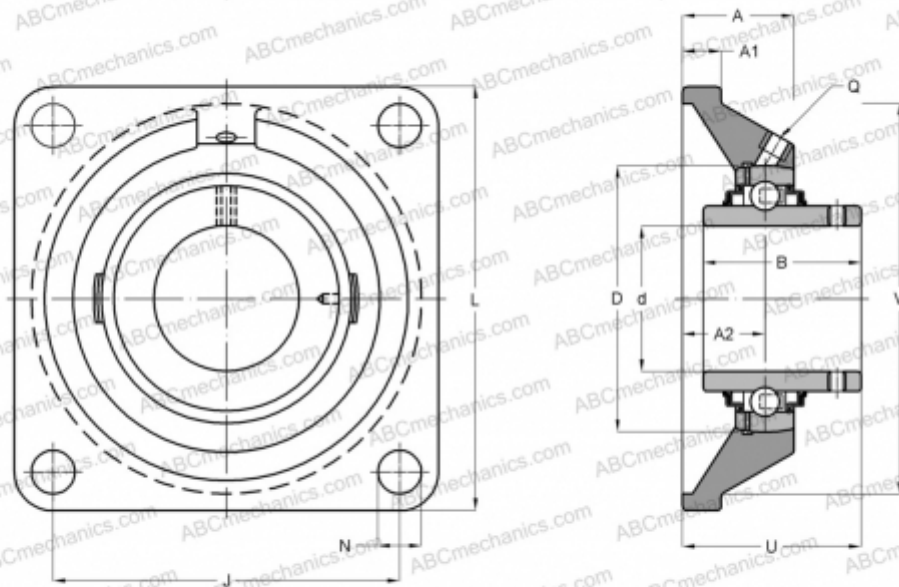


FY 30 TF/VA201 SKF

Ball bearing units

TYPE: Housing units, Four-bolt flanged housing units, Cast iron housing, Radial insert ball bearing with grub screws in inner ring, Type FY..TF/VA201, high temperature (-40°/+250°) (SKF)



Technical specification

DIMENSIONS, MM

d	30,000
D	62,000
B	38,100
L	108,000
A	32,500
J	82,500
A1	13,000
N	12,700
U	42,200

WEIGHT, KG

1,100

Bearing	YAR 206-
Housing	FY 506
	U/VA228

MANUFACTURER

[SKF](#)

CALCULATION DATA

Basic dynamic load rating, C	19,500 kN
Basic static load rating, Co	11,200 kN
Limiting speed	90 r/min
Operating temperature max	250 °C