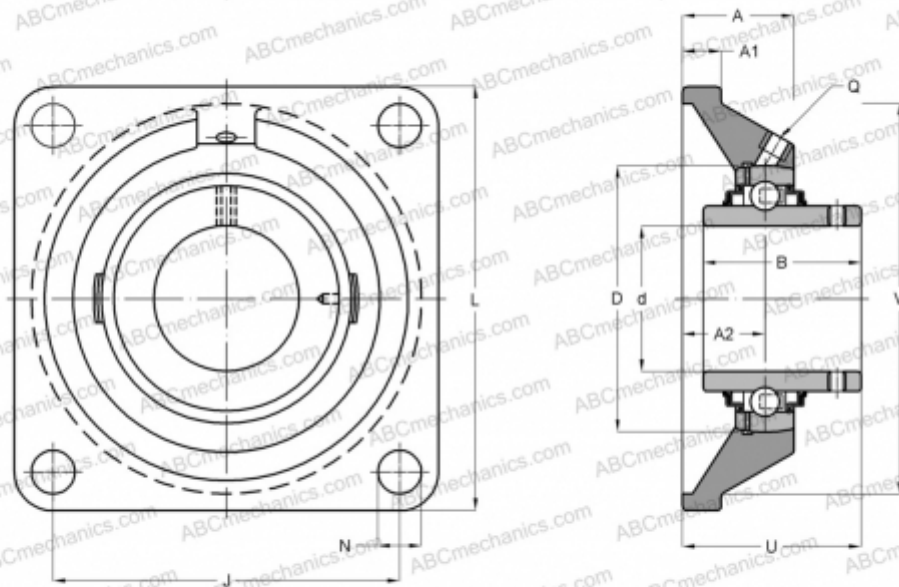


## FY 55 TF/VA201 SKF

Ball bearing units

TYPE: Housing units, Four-bolt flanged housing units, Cast iron housing, Radial insert ball bearing with grub screws in inner ring, Type FY..TF/VA201, high temperature (-40°/+250°) (SKF)



### Technical specification

#### DIMENSIONS, MM

d	55,000
D	100,000
B	55,600
L	162,000
A	47,500
J	130,000
A1	16,000
N	19,000
U	64,400

#### WEIGHT, KG

3,600

Bearing	YAR 211-
Housing	FY 511 U/VA228

#### MANUFACTURER

[SKF](#)

#### CALCULATION DATA

Basic dynamic load rating, C	43,600 kN
Basic static load rating, Co	29,000 kN
Limiting speed	50 r/min
Operating temperature max	250 °C