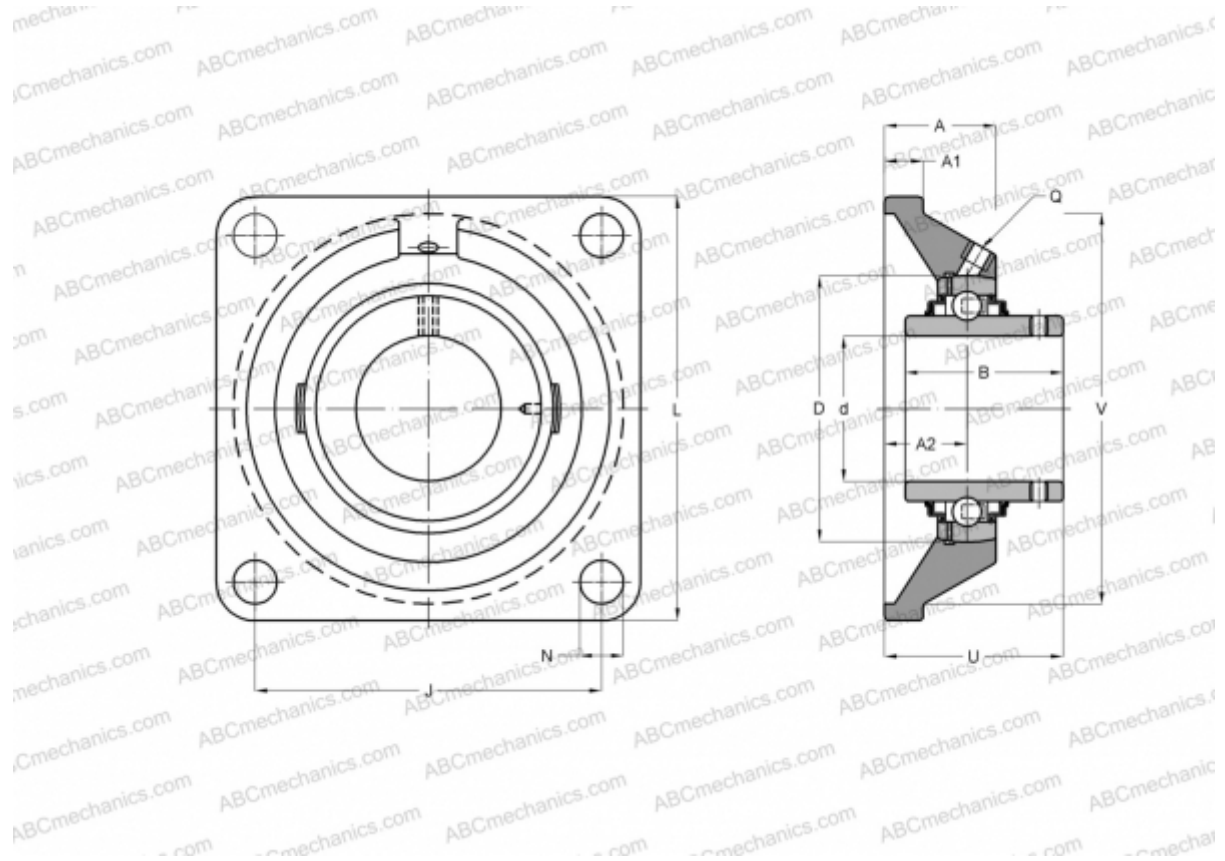


FY 50 TF/VA228 SKF

Ball bearing units

TYPE: Housing units, Four-bolt flanged housing units, Cast iron housing, Radial insert ball bearing with grub screws in inner ring, Type FY..TF/VA228, high temperature, for high demands (-150°/+350°) (SKF)



Technical specification

DIMENSIONS, MM

| | |
|----|---------|
| d | 50,000 |
| D | 90,000 |
| B | 51,600 |
| L | 143,000 |
| A | 43,000 |
| J | 111,000 |
| A1 | 15,000 |
| N | 15,900 |
| U | 60,600 |

WEIGHT, KG 2,500

| | |
|---------|----------|
| Bearing | YAR 210- |
| Housing | FY 510 |
| | U/VA228 |

MANUFACTURER

[SKF](#)

CALCULATION DATA

| | |
|------------------------------|-----------|
| Basic dynamic load rating, C | 35,100 kN |
| Basic static load rating, Co | 23,200 kN |
| Limiting speed | 120 r/min |
| Operating temperature max | 350 °C |