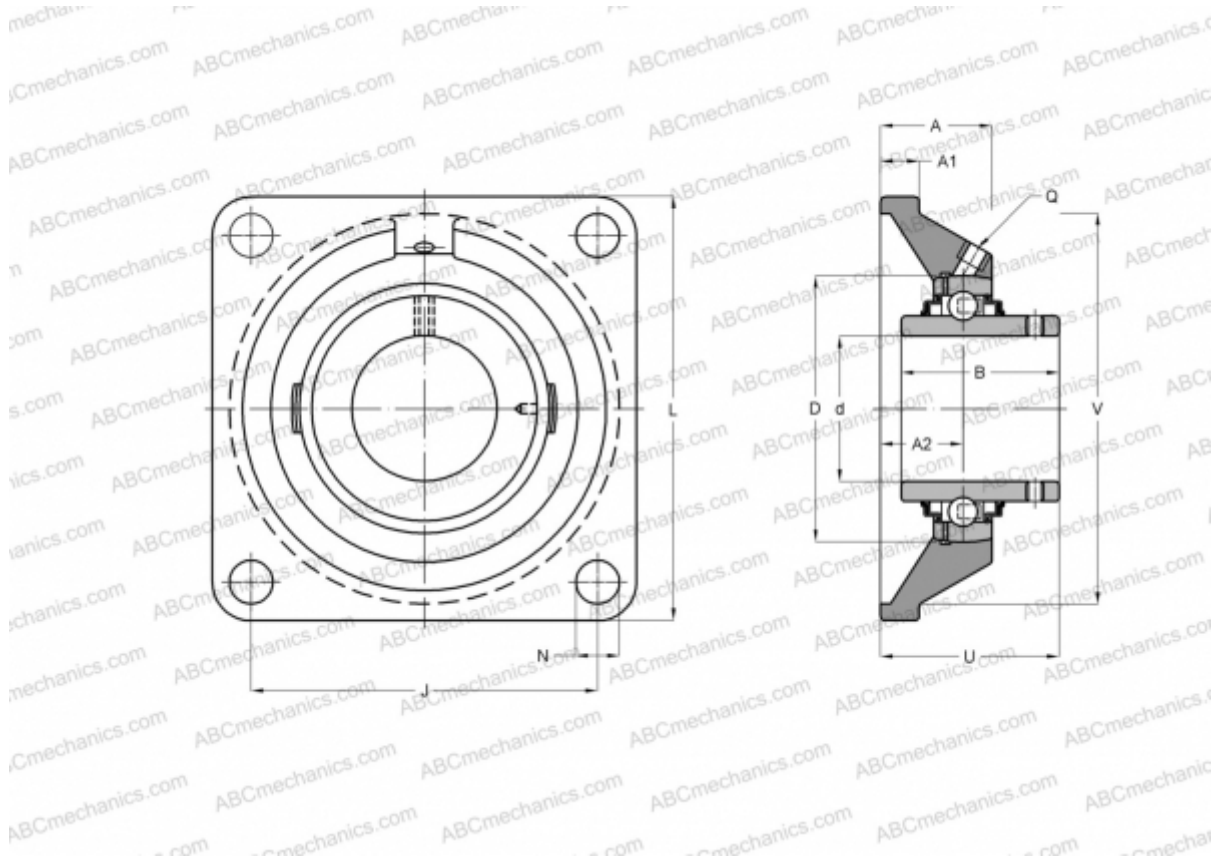


FY 60 TF/VA228 SKF

Ball bearing units

TYPE: Housing units, Four-bolt flanged housing units, Cast iron housing, Radial insert ball bearing with grub screws in inner ring, Type FY..TF/VA228, high temperature, for high demands (-150°/+350°) (SKF)



Technical specification

DIMENSIONS, MM

d	60,000
D	110,000
B	65,100
L	175,000
A	52,000
J	143,000
A1	17,000
N	19,000
U	73,700

WEIGHT, KG

4,600

Bearing	YAR 212-
Housing	FY 512
	U/VA228

MANUFACTURER

[SKF](#)

CALCULATION DATA

Basic dynamic load rating, C	52,700 kN
Basic static load rating, Co	36,000 kN
Limiting speed	100 r/min
Operating temperature max	350 °C