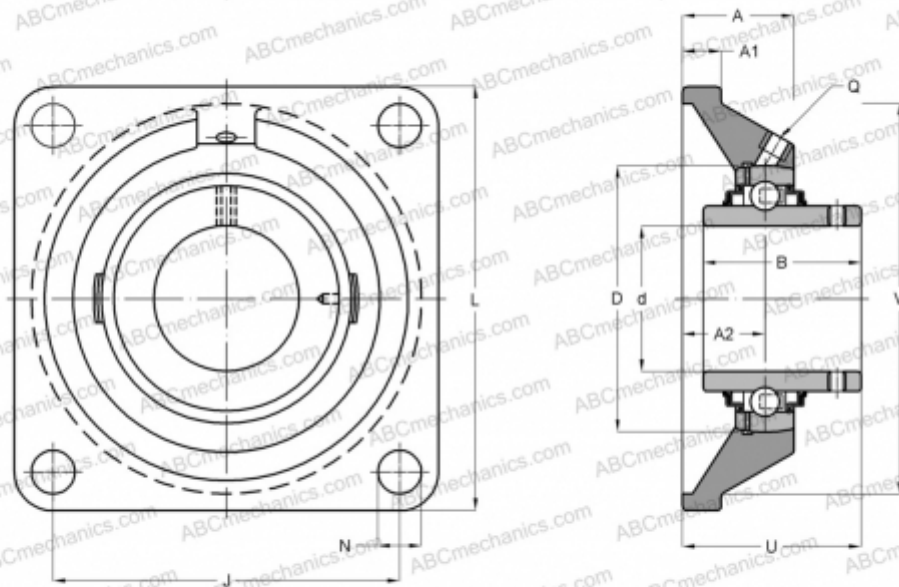


## FY 3/4 TF/VA201 SKF

Ball bearing units

TYPE: Housing units, Four-bolt flanged housing units, Cast iron housing, Radial insert ball bearing with grub screws in inner ring, Type FY..TF/VA201, high temperature, inch size (-40°/+250°) (SKF)



### Technical specification

#### DIMENSIONS, MM

d	19,050
D	47,000
B	31,000
L	86,000
A	29,500
J	63,500
A1	11,000
N	11,100
U	37,300

**WEIGHT, KG** 0,600

Bearing	YAR 204-012-
Housing	FY 504 U/VA228

#### MANUFACTURER

[SKF](#)

#### CALCULATION DATA

Basic dynamic load rating, C	12,700 kN
Basic static load rating, Co	6,550 kN
Limiting speed	130 r/min
Operating temperature max	250 °C