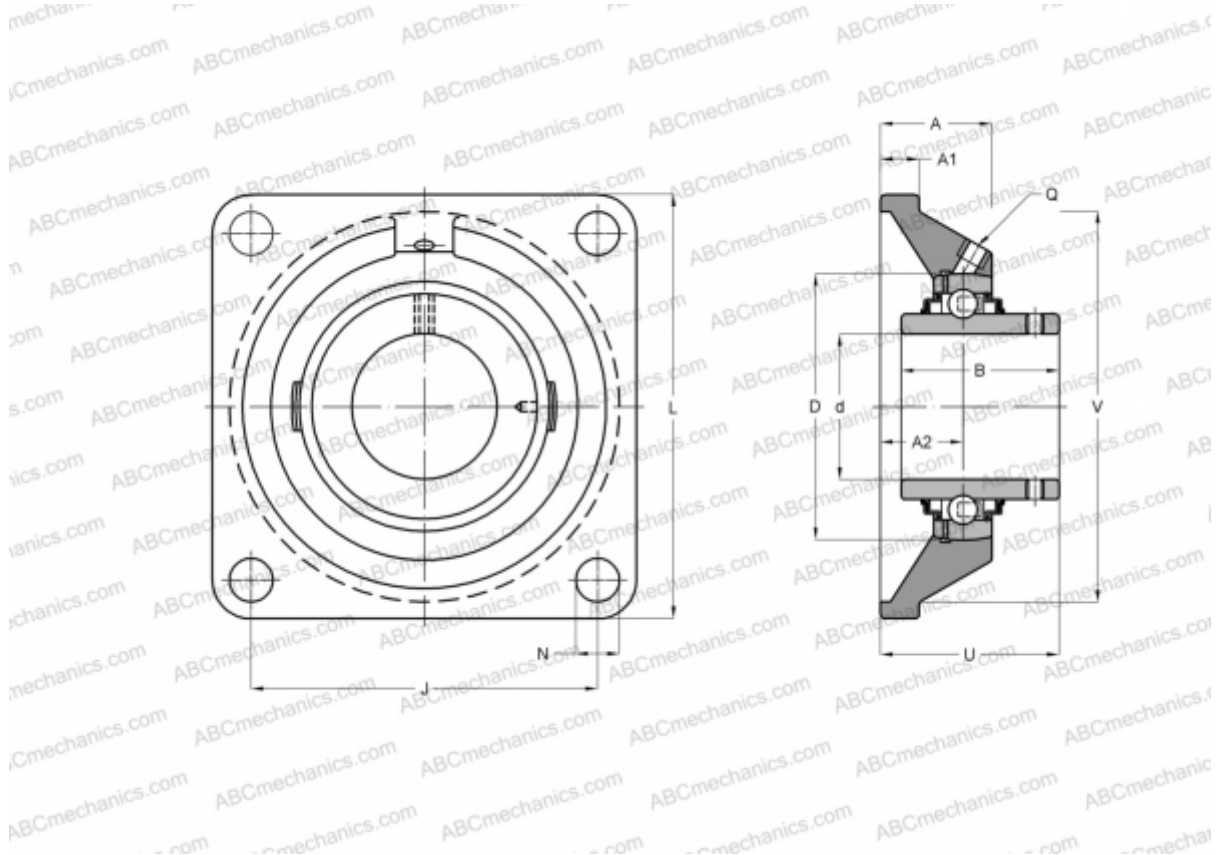


FY 1.15/16 TF/VA201 SKF

Ball bearing units

TYPE: Housing units, Four-bolt flanged housing units, Cast iron housing, Radial insert ball bearing with grub screws in inner ring, Type FY..TF/VA201, high temperature, inch size (-40°/+250°) (SKF)



Technical specification

DIMENSIONS, MM

d	49,212
D	90,000
B	51,600
L	143,000
A	43,000
J	111,000
A1	15,000
N	15,900
U	60,600

WEIGHT, KG

2,500

Bearing	YAR 210-115-
Housing	FY 510
	U/VA228

MANUFACTURER

[SKF](#)

CALCULATION DATA

Basic dynamic load rating, C	35,100 kN
Basic static load rating, Co	23,200 kN
Limiting speed	60 r/min
Operating temperature max	250 °C