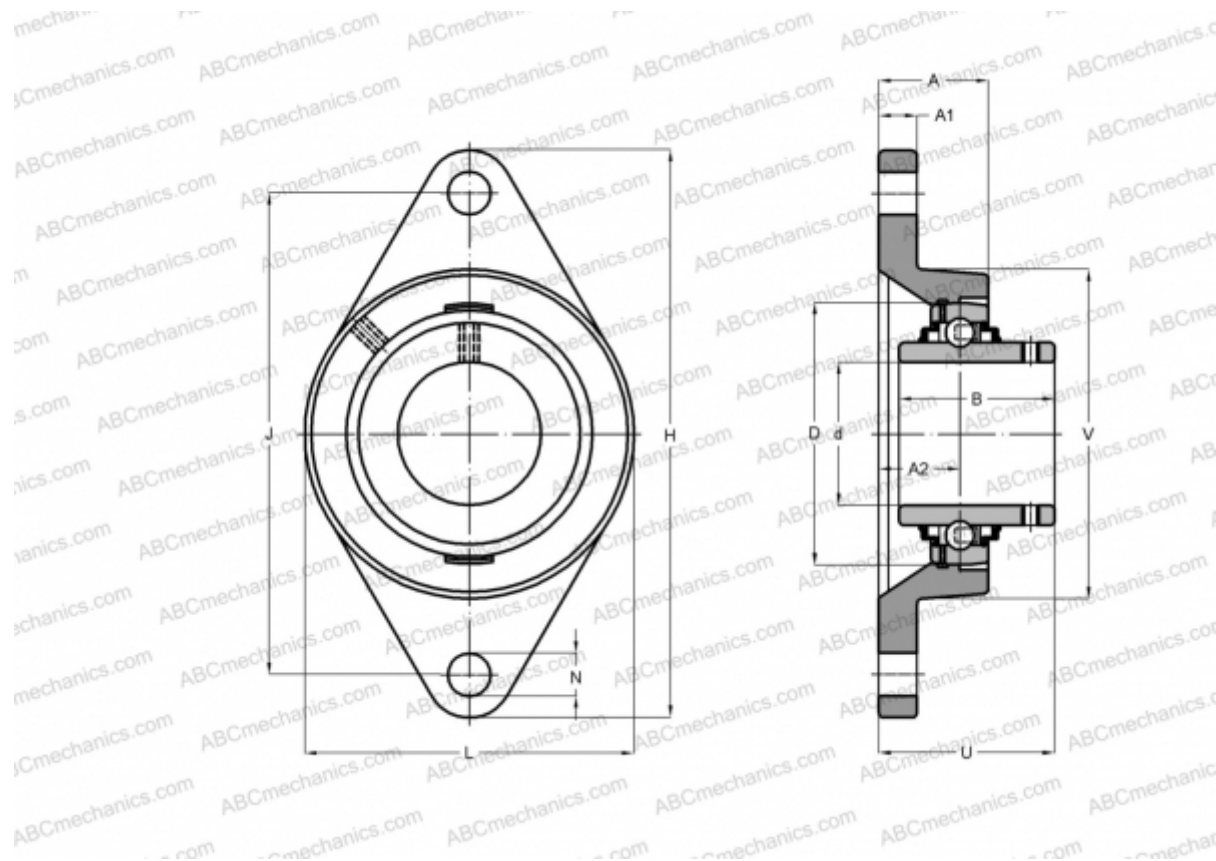


## FYT 25 TF/VA228 SKF

Ball bearing units

TYPE: Housing units, Two-bolt flanged housing units, Cast iron housing, Radial insert ball bearing with grub screws in inner ring, Type FYT..TF/VA228, high temperature, for high demands (-150°/+350°) (SKF)



### Technical specification

#### DIMENSIONS, MM

d	25,000
D	52,000
B	34,100
L	70,000
H	124,000
A	30,000
J	98,900
A1	12,000
A2	14,300
N	12,700
U	38,800

**WEIGHT, KG** 0,630

Bearing YAR 205-2F/VA228

Housing FYT 505

U/VA228

#### MANUFACTURER

[SKF](#)

#### CALCULATION DATA

Basic dynamic load rating, C	14,000 kN
Basic static load rating, Co	7,800 kN
Limiting speed	230 r/min
Operating temperature max	350 °C