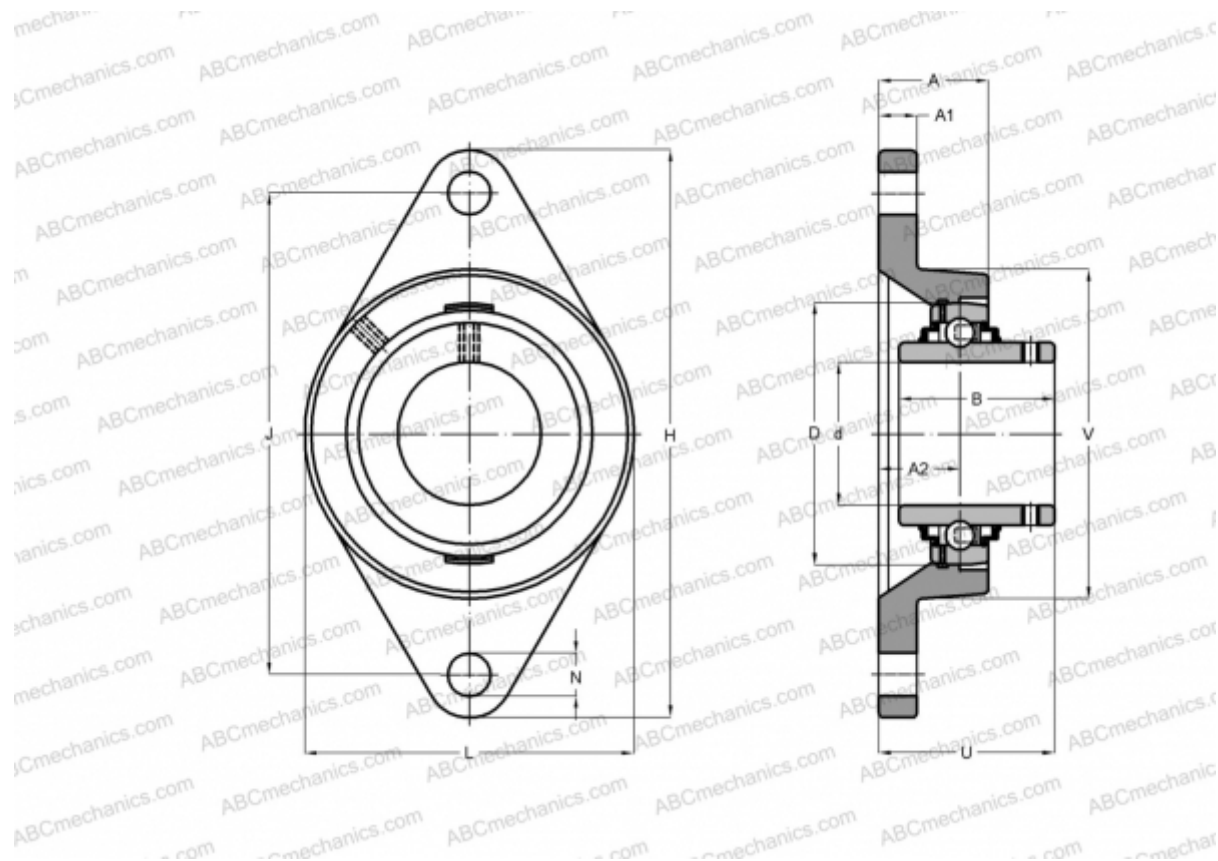


## FYT 30 TF/VA228 SKF

Ball bearing units

TYPE: Housing units, Two-bolt flanged housing units, Cast iron housing, Radial insert ball bearing with grub screws in inner ring, Type FYT..TF/VA228, high temperature, for high demands (-150°/+350°) (SKF)



### Technical specification

#### DIMENSIONS, MM

d	30,000
D	62,000
B	38,100
L	83,000
H	141,500
A	32,700
J	116,700
A1	13,000
A2	15,900
N	12,700
U	42,200

#### WEIGHT, KG

0,930

Bearing

YAR 206-  
2F/VA228

Housing

FYT 506

#### MANUFACTURER

U/VA228  
[SKF](#)

#### CALCULATION DATA

Basic dynamic load rating, C	19,500 kN
Basic static load rating, Co	11,200 kN
Limiting speed	190 r/min
Operating temperature max	350 °C