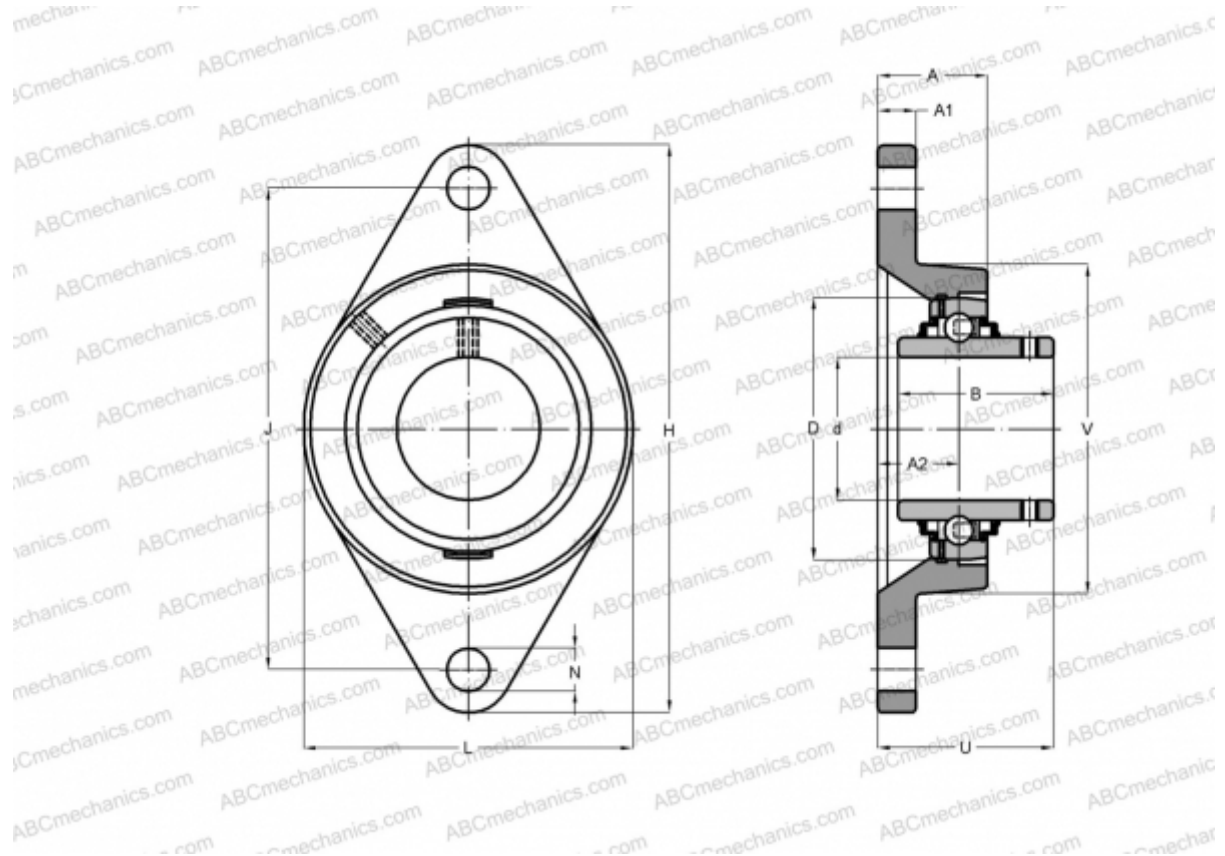


FYT 55 TF/VA228 SKF

Ball bearing units

TYPE: Housing units, Two-bolt flanged housing units, Cast iron housing, Radial insert ball bearing with grub screws in inner ring, Type FYT..TF/VA228, high temperature, for high demands (-150°/+350°) (SKF)



Technical specification

DIMENSIONS, MM

d	55,000
D	100,000
B	55,600
L	127,000
H	215,900
A	47,630
J	184,200
A1	20,600
A2	22,200
N	19,000
U	62,800

WEIGHT, KG

3,300

Bearing

YAR 211-
2F/VA228

Housing

FYT 511

U/VA228
[SKF](#)

MANUFACTURER

CALCULATION DATA

Basic dynamic load rating, C	43,600 kN
Basic static load rating, Co	29,000 kN
Limiting speed	110 r/min
Operating temperature max	350 °C