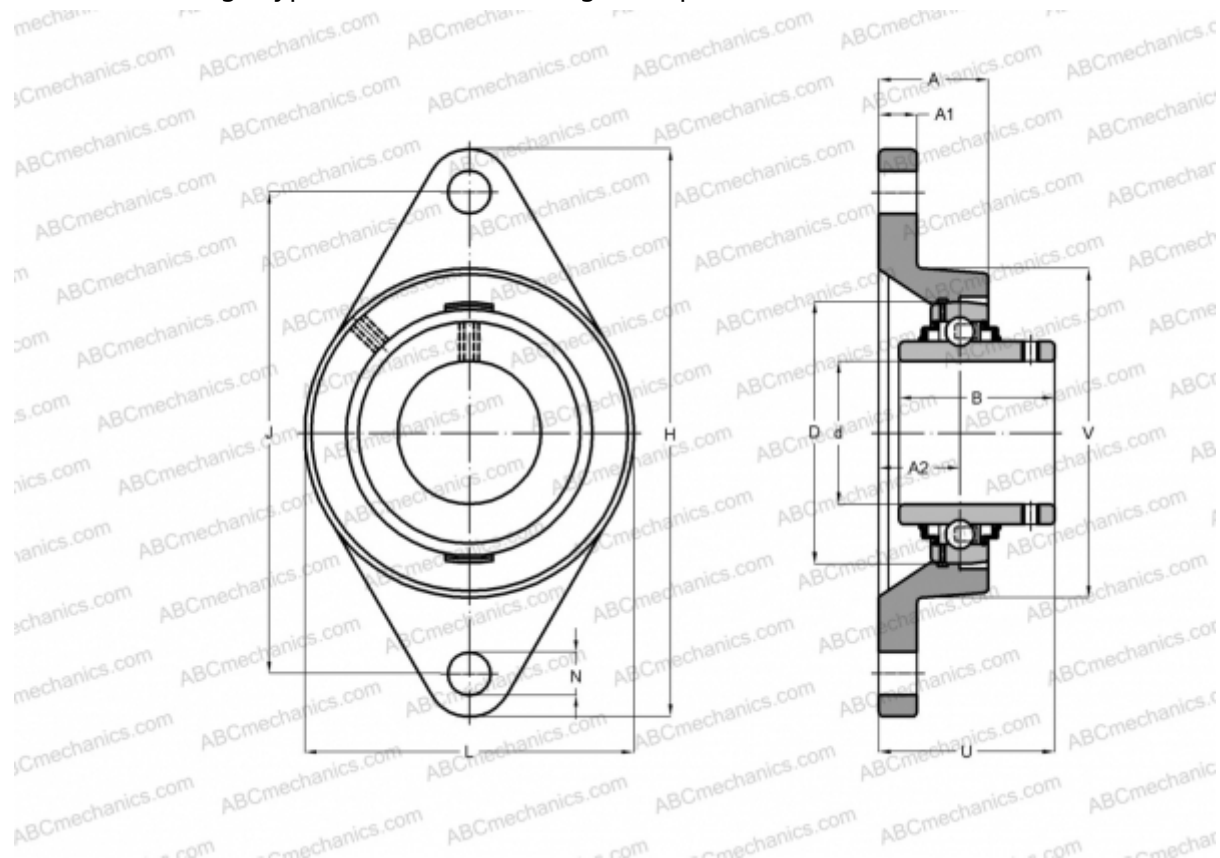


## FYT 1. TF/VA201 SKF

Ball bearing units

TYPE: Housing units, Two-bolt flanged housing units, Cast iron housing, Radial insert ball bearing with grub screws in inner ring, Type FYT..TF/VA201, high temperature, inch size (-40°/+250°) (SKF)



### Technical specification

#### DIMENSIONS, MM

d	25,400
D	52,000
B	34,100
L	70,000
H	124,000
A	30,000
J	98,800
A1	12,000
A2	14,300
N	12,700
U	38,800

#### WEIGHT, KG

0,650

Bearing

YAR 205-100-  
2F/VA201

Housing

FYT 505

#### MANUFACTURER

U/VA228  
[SKF](#)

#### CALCULATION DATA

Basic dynamic load rating, C	14,000 kN
Basic static load rating, Co	7,800 kN
Limiting speed	110 r/min
Operating temperature max	250 °C