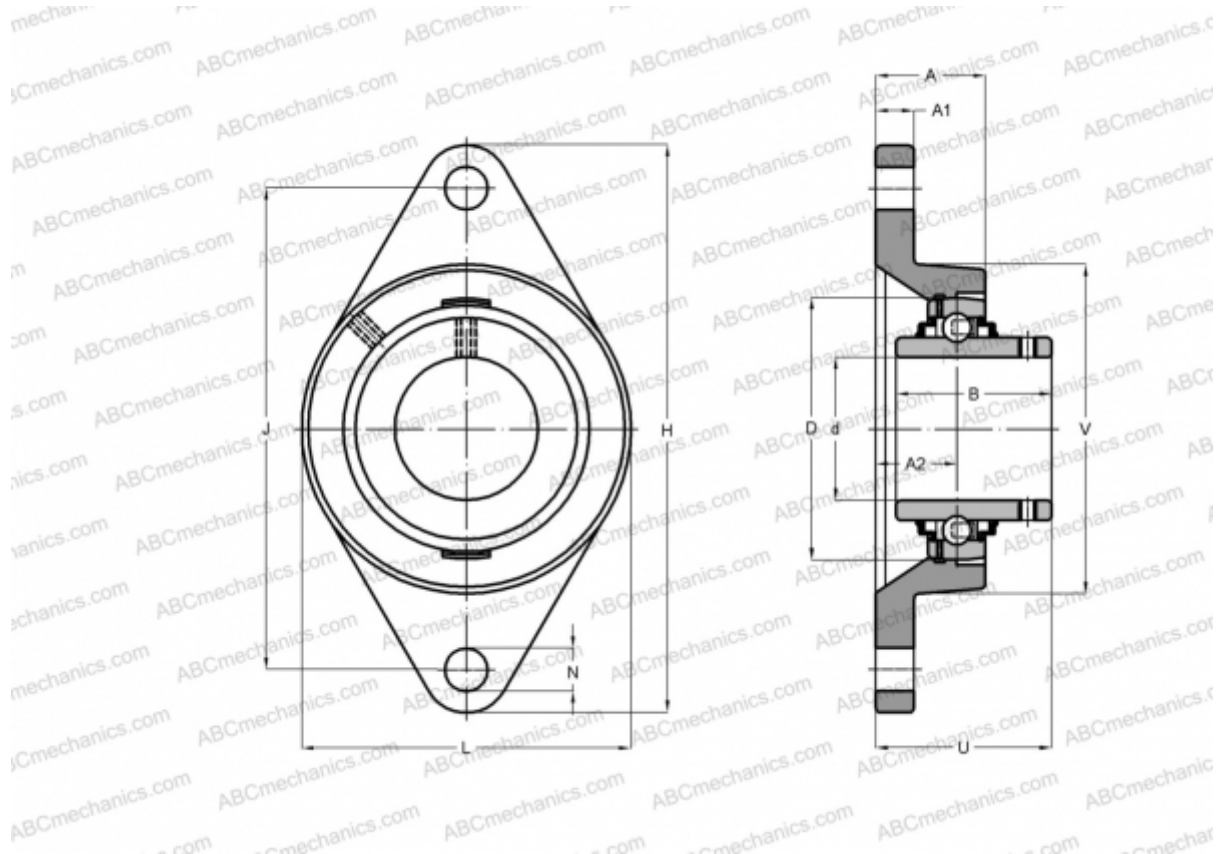


FYT 1.11/16 TF/VA201 SKF

Ball bearing units

TYPE: Housing units, Two-bolt flanged housing units, Cast iron housing, Radial insert ball bearing with grub screws in inner ring, Type FYT..TF/VA201, high temperature, inch size (-40°/+250°) (SKF)



Technical specification

DIMENSIONS, MM

d	42,863
D	85,000
B	49,200
L	111,000
H	178,500
A	39,000
J	148,400
A1	14,000
A2	19,000
N	15,900
U	54,200

WEIGHT, KG

1,950

Bearing

YAR 209-111-2F/VA201

Housing

FYT 509

MANUFACTURER

U/VA228

[SKF](#)

CALCULATION DATA

Basic dynamic load rating, C	33,200 kN
Basic static load rating, Co	21,600 kN
Limiting speed	70 r/min
Operating temperature max	250 °C