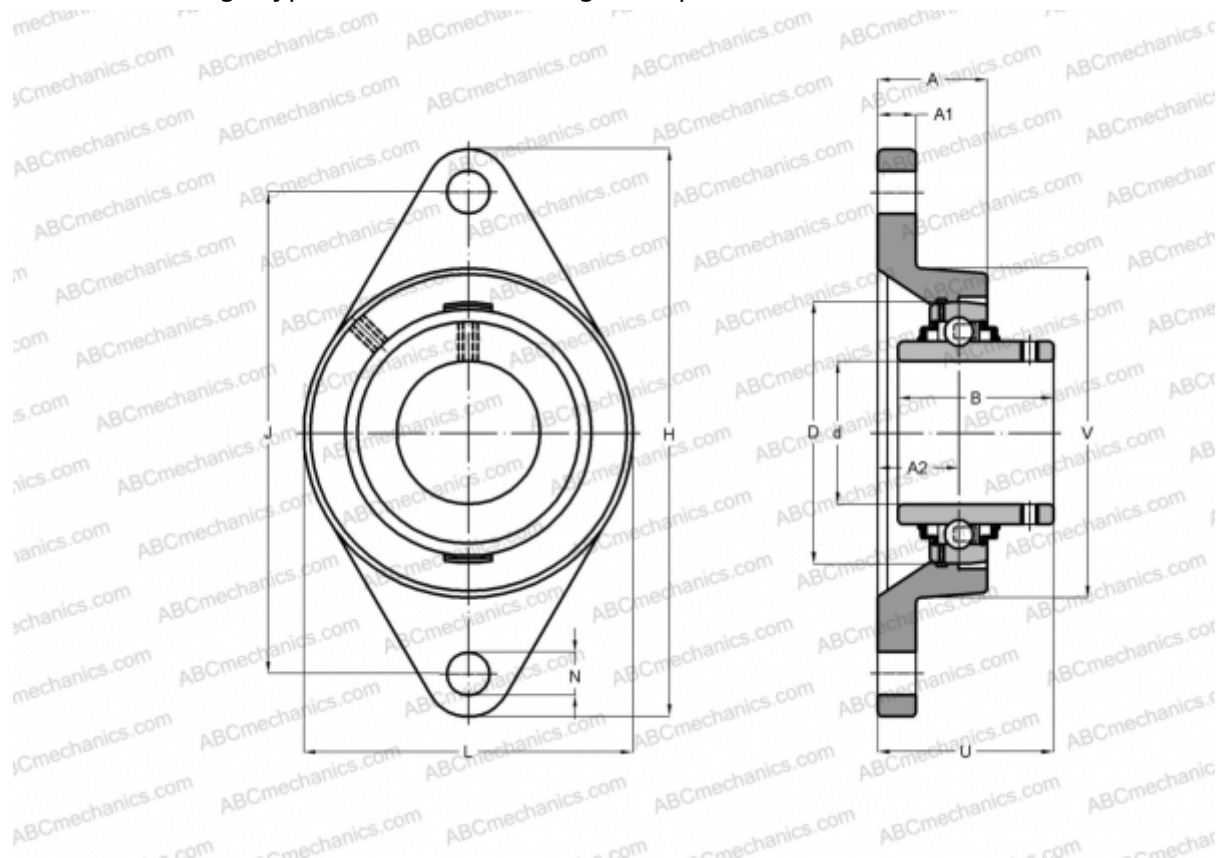


FYT 2. TF/VA201 SKF

Ball bearing units

TYPE: Housing units, Two-bolt flanged housing units, Cast iron housing, Radial insert ball bearing with grub screws in inner ring, Type FYT..TF/VA201, high temperature, inch size (-40°/+250°) (SKF)



Technical specification

DIMENSIONS, MM

d	50,800
D	100,000
B	55,600
L	127,000
H	215,900
A	47,630
J	184,150
A1	20,640
A2	22,200
N	19,000
U	69,000

WEIGHT, KG

3,450

Bearing

YAR 211-200-
2F/VA201

Housing

FYT 511

MANUFACTURER

U/VA228

[SKF](#)

CALCULATION DATA

Basic dynamic load rating, C	43,600 kN
Basic static load rating, Co	29,000 kN
Limiting speed	50 r/min
Operating temperature max	250 °C