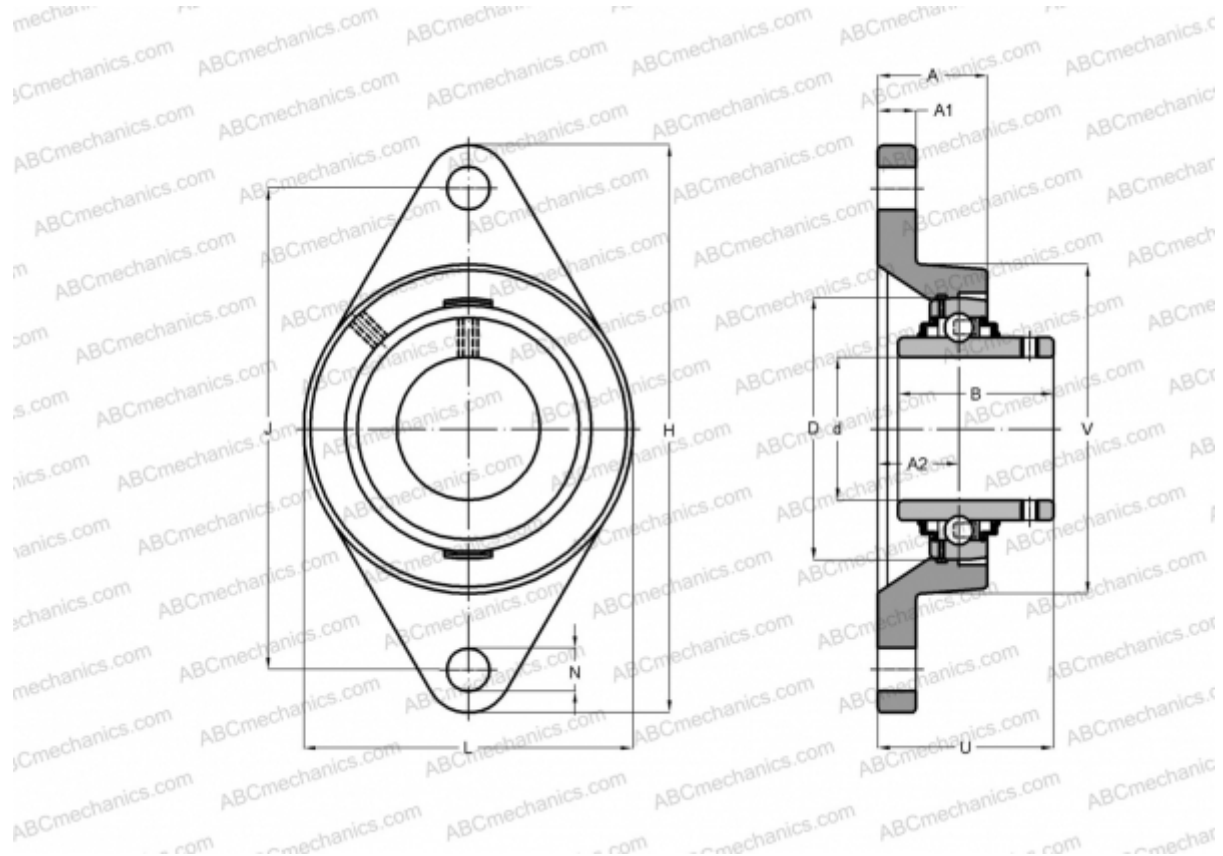


FYT 3/4 TF/VA228 SKF

Ball bearing units

TYPE: Housing units, Two-bolt flanged housing units, Cast iron housing, Radial insert ball bearing with grub screws in inner ring, Type FYT..TF/VA228, high temperature, for high demands, inch size (-150°/+350°) (SKF)



Technical specification

DIMENSIONS, MM

d	19,050
D	47,000
B	31,000
L	60,500
H	112,000
A	29,610
J	89,700
A1	11,110
A2	12,700
N	11,100
U	32,600

WEIGHT, KG 0,530

Bearing YAR 204-012-2F/VA228

Housing FYT 504

U/VA228
[SKF](#)

MANUFACTURER

CALCULATION DATA

Basic dynamic load rating, C	12,700 kN
Basic static load rating, Co	6,550 kN
Limiting speed	270 r/min
Operating temperature max	350 °C