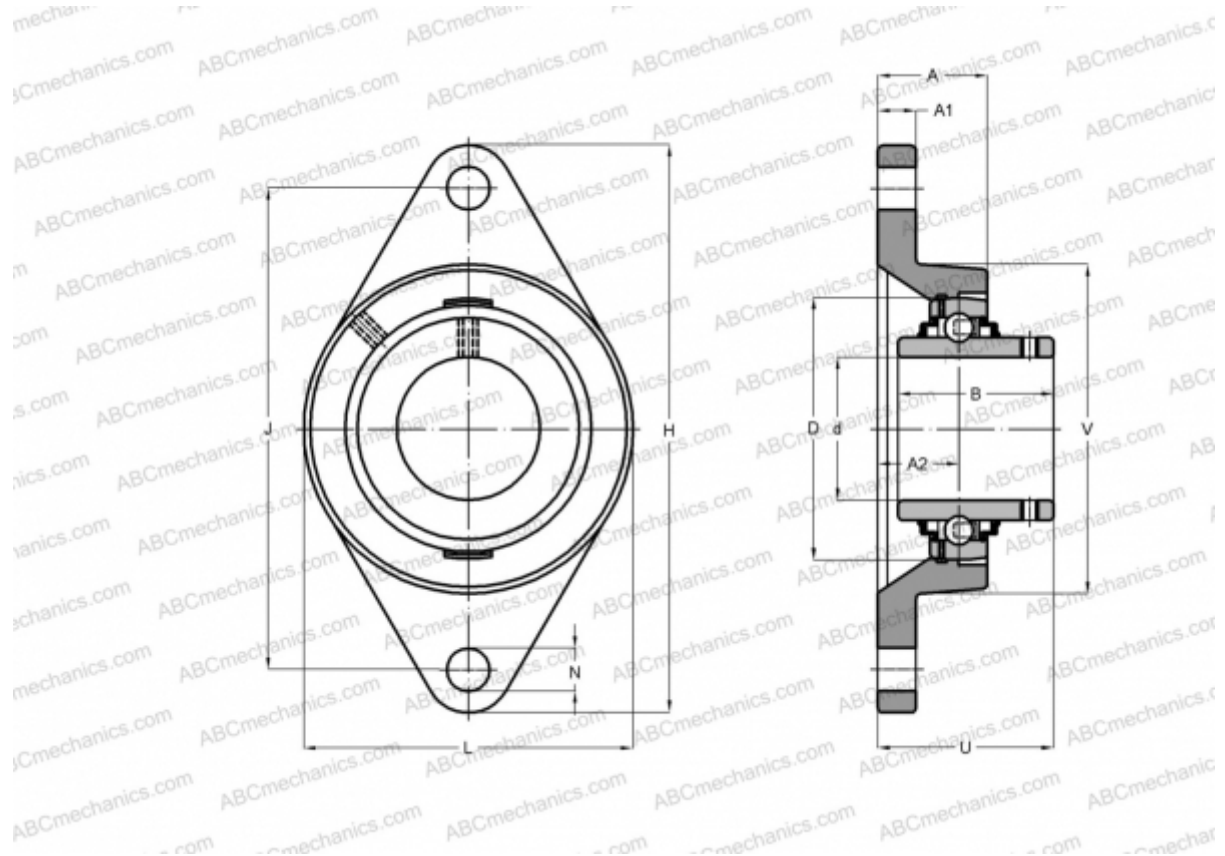


## FYT 1.3/4 TF/VA228 SKF

Ball bearing units

TYPE: Housing units, Two-bolt flanged housing units, Cast iron housing, Radial insert ball bearing with grub screws in inner ring, Type FYT..TF/VA228, high temperature, for high demands, inch size (-150°/+350°) (SKF)



### Technical specification

#### DIMENSIONS, MM

d	44,450
D	85,000
B	49,200
L	111,000
H	178,500
A	39,000
J	148,400
A1	14,000
A2	19,000
N	15,900
U	54,200

**WEIGHT, KG** 1,820

Bearing YAR 209-112-2F/VA228

Housing FYT 509

#### MANUFACTURER

U/VA228  
[SKF](#)

#### CALCULATION DATA

Basic dynamic load rating, C	33,200 kN
Basic static load rating, Co	21,600 kN
Limiting speed	130 r/min
Operating temperature max	350 °C