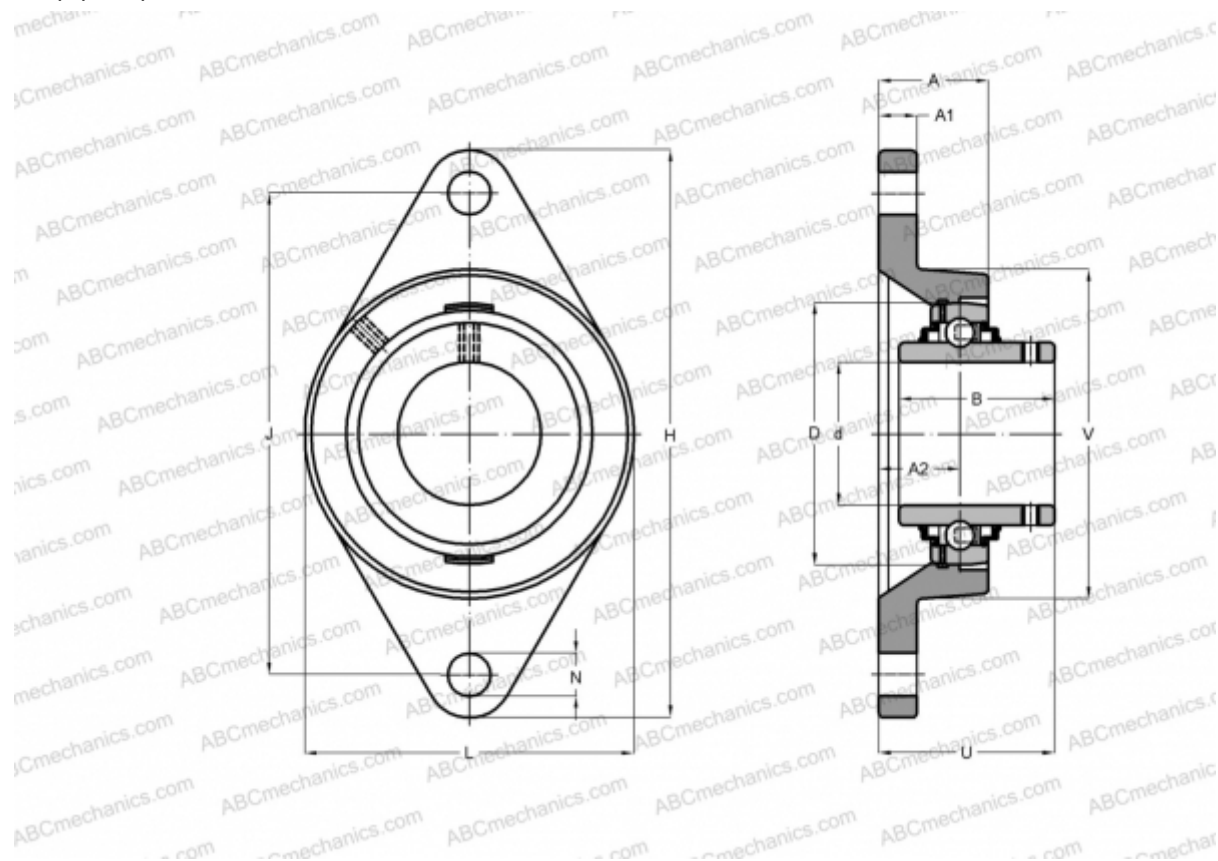


FYT 2. TF/VA228 SKF

Ball bearing units

TYPE: Housing units, Two-bolt flanged housing units, Cast iron housing, Radial insert ball bearing with grub screws in inner ring, Type FYT..TF/VA228, high temperature, for high demands, inch size (-150°/+350°) (SKF)



Technical specification

DIMENSIONS, MM

d	50,800
D	100,000
B	55,600
L	127,000
H	215,900
A	47,630
J	184,150
A1	20,640
A2	22,200
N	19,000
U	69,000

WEIGHT, KG 3,450

Bearing YAR 211-200-2F/VA228

Housing FYT 511

U/VA228
[SKF](#)

MANUFACTURER

CALCULATION DATA

Basic dynamic load rating, C	43,600 kN
Basic static load rating, Co	29,000 kN
Limiting speed	110 r/min
Operating temperature max	350 °C