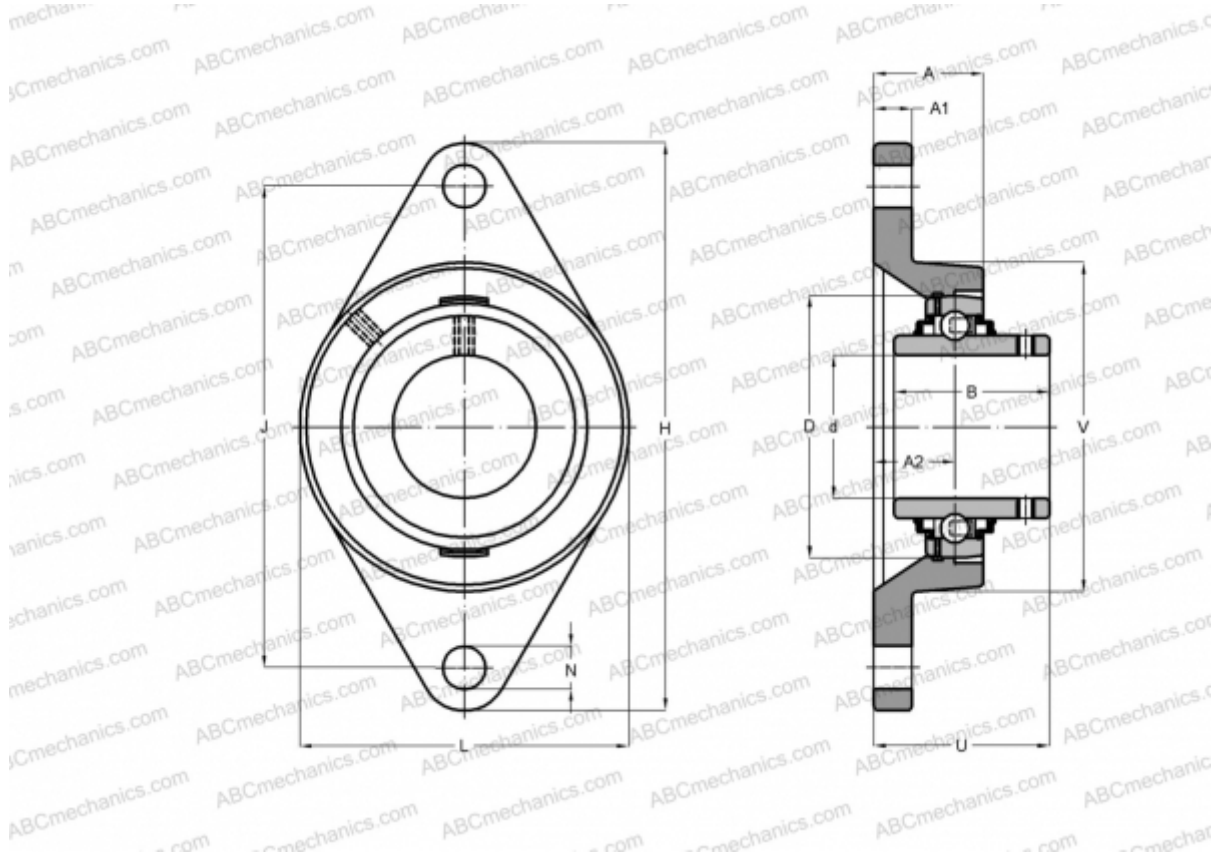


UDFL 208 ASAHI

Ball bearing units

TYPE: Housing units, Two-bolt flanged housing units, Cast iron housing, Radial insert ball bearing with eccentric locking collar, Type UDFL (ASAHI)



Technical specification

DIMENSIONS, MM

d	40,000
D	80,000
B	40,000
L	100,000
H	175,000
A	36,000
J	144,000
A1	16,000
A2	21,000
N	16,000
U	46,500

WEIGHT, KG

1,500

Bearing

UD 208 + EE

Housing

FL 208

MANUFACTURER

[ASAHI](#)