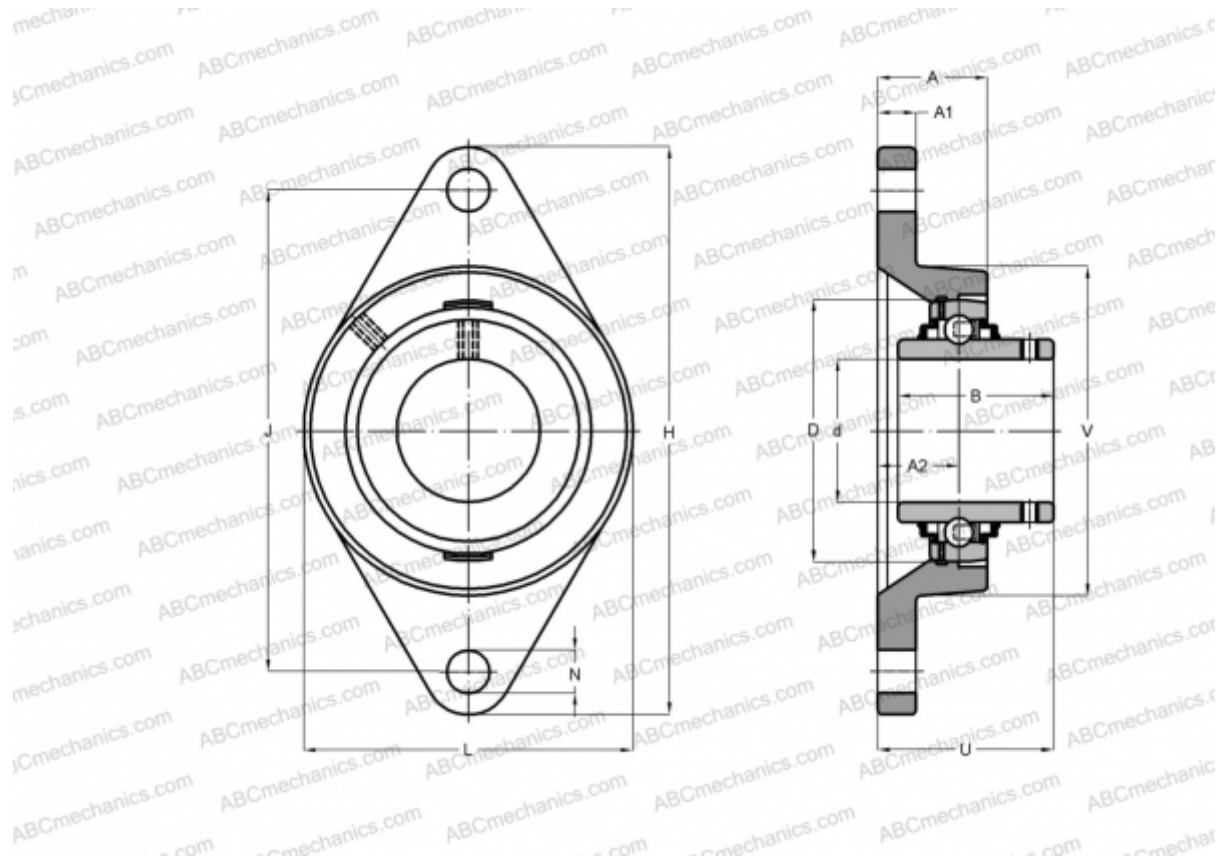


## UCFL 204 ASAHI

Ball bearing units

TYPE: Housing units, Two-bolt flanged housing units, Cast iron housing, Radial insert ball bearing with grub screws in inner ring, Type UCFL (ASAHI)



### Technical specification

#### DIMENSIONS, MM

d	20,000
D	47,000
B	31,000
L	60,000
H	113,000
A	25,500
J	90,000
A1	12,000
A2	12,700
N	12,000
U	33,300

#### WEIGHT, KG

Bearing	0,450
	UC 204

Housing

FL 204

#### MANUFACTURER

[ASAHI](#)