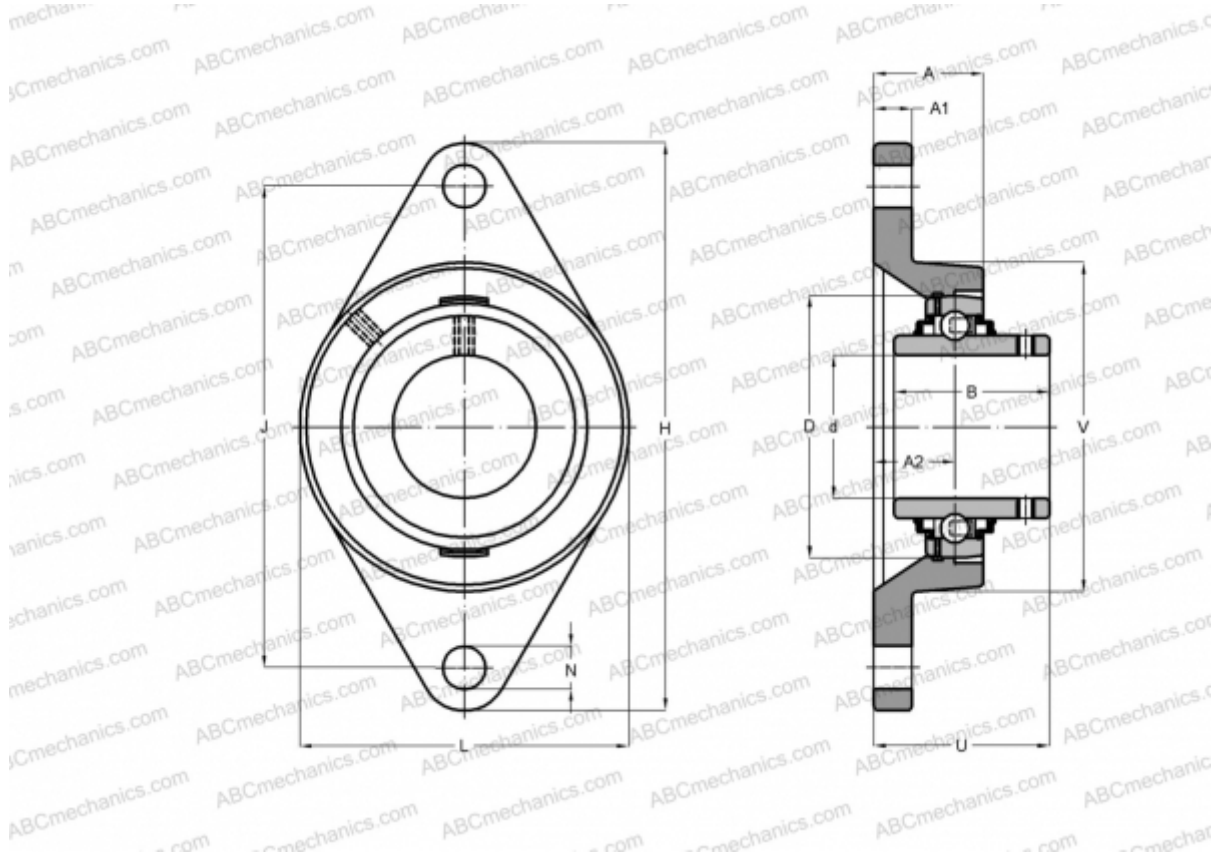


UCFL 212 ASAHI

Ball bearing units

TYPE: Housing units, Two-bolt flanged housing units, Cast iron housing, Radial insert ball bearing with grub screws in inner ring, Type UCFL (ASAHI)



Technical specification

DIMENSIONS, MM

d	60,000
D	110,000
B	65,100
L	140,000
H	250,000
A	48,000
J	202,000
A1	20,000
A2	25,400
N	23,000
U	68,700

WEIGHT, KG

	4,100
Bearing	UC 212

Housing

FL 212

MANUFACTURER

[ASAHI](#)