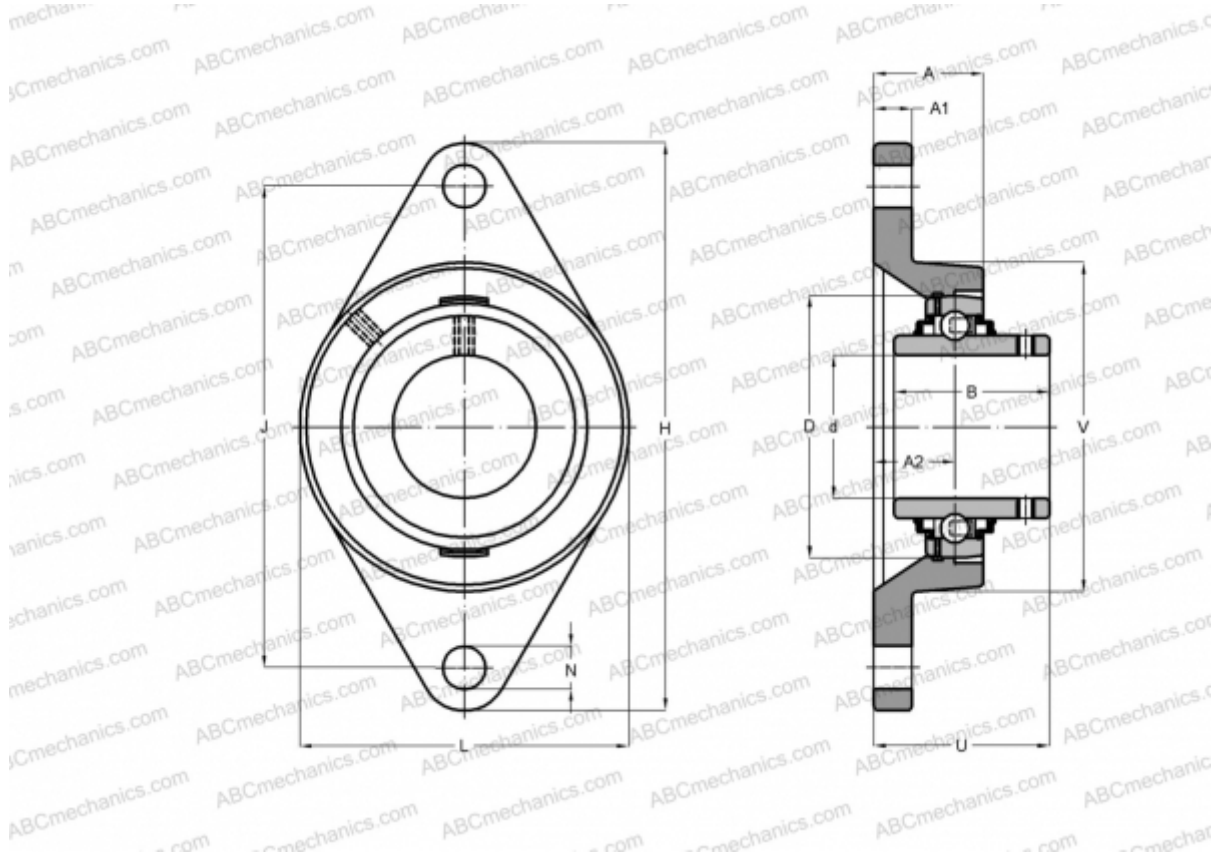


## UCFL 305 ASAHI

Ball bearing units

TYPE: Housing units, Two-bolt flanged housing units, Cast iron housing, Radial insert ball bearing with grub screws in inner ring, Type UCFL (ASAHI)



### Technical specification

#### DIMENSIONS, MM

d	25,000
D	62,000
B	38,000
L	80,000
H	150,000
A	29,000
J	113,000
A1	13,000
A2	15,000
N	19,000
U	39,000

#### WEIGHT, KG

	1,100
Bearing	UC 305

Housing

FL 305

**MANUFACTURER**

[ASAHI](#)