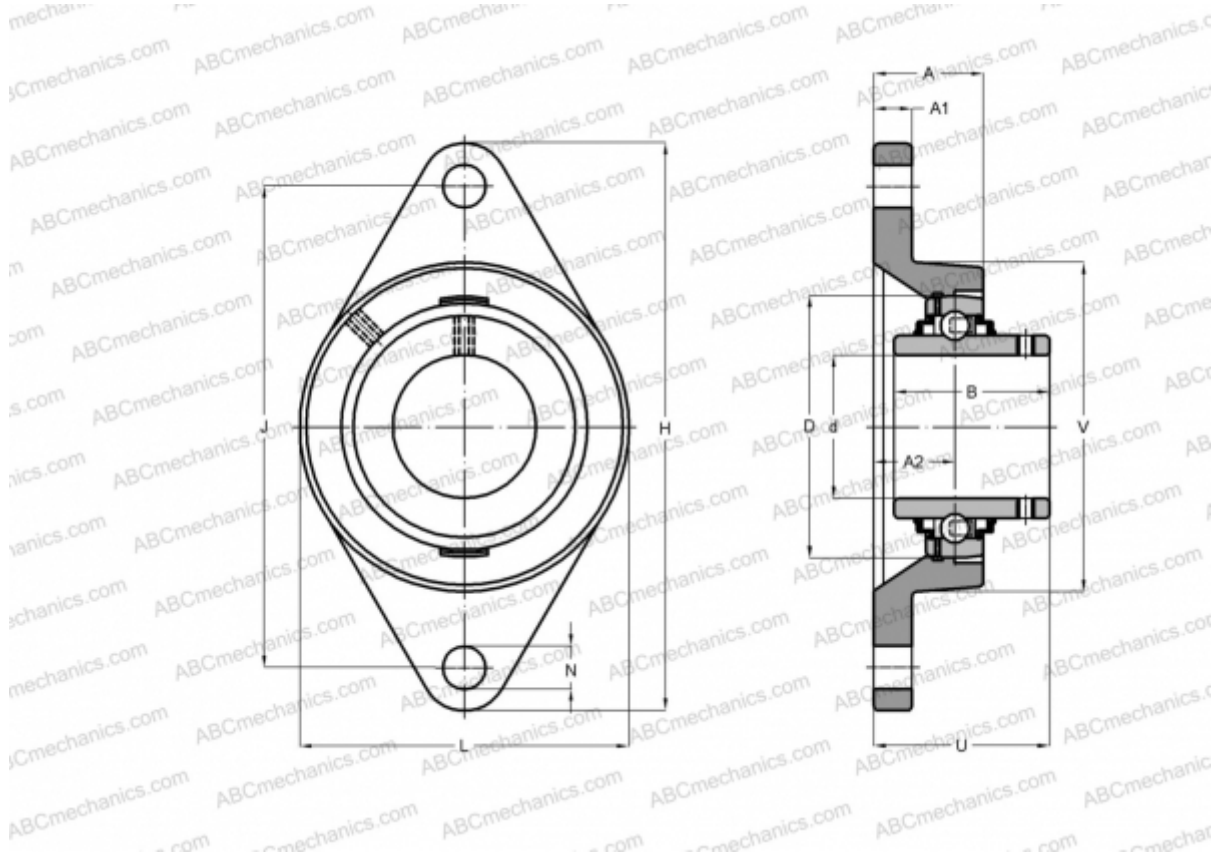


UCFL 308 ASAHI

Ball bearing units

TYPE: Housing units, Two-bolt flanged housing units, Cast iron housing, Radial insert ball bearing with grub screws in inner ring, Type UCFL (ASAHI)



Technical specification

DIMENSIONS, MM

d	40,000
D	90,000
B	52,000
L	112,000
H	200,000
A	40,000
J	158,000
A1	17,000
A2	19,000
N	23,000
U	56,000

WEIGHT, KG

Bearing	UC 308
Housing	FL 308

Housing

FL 308

MANUFACTURER

[ASAHI](#)