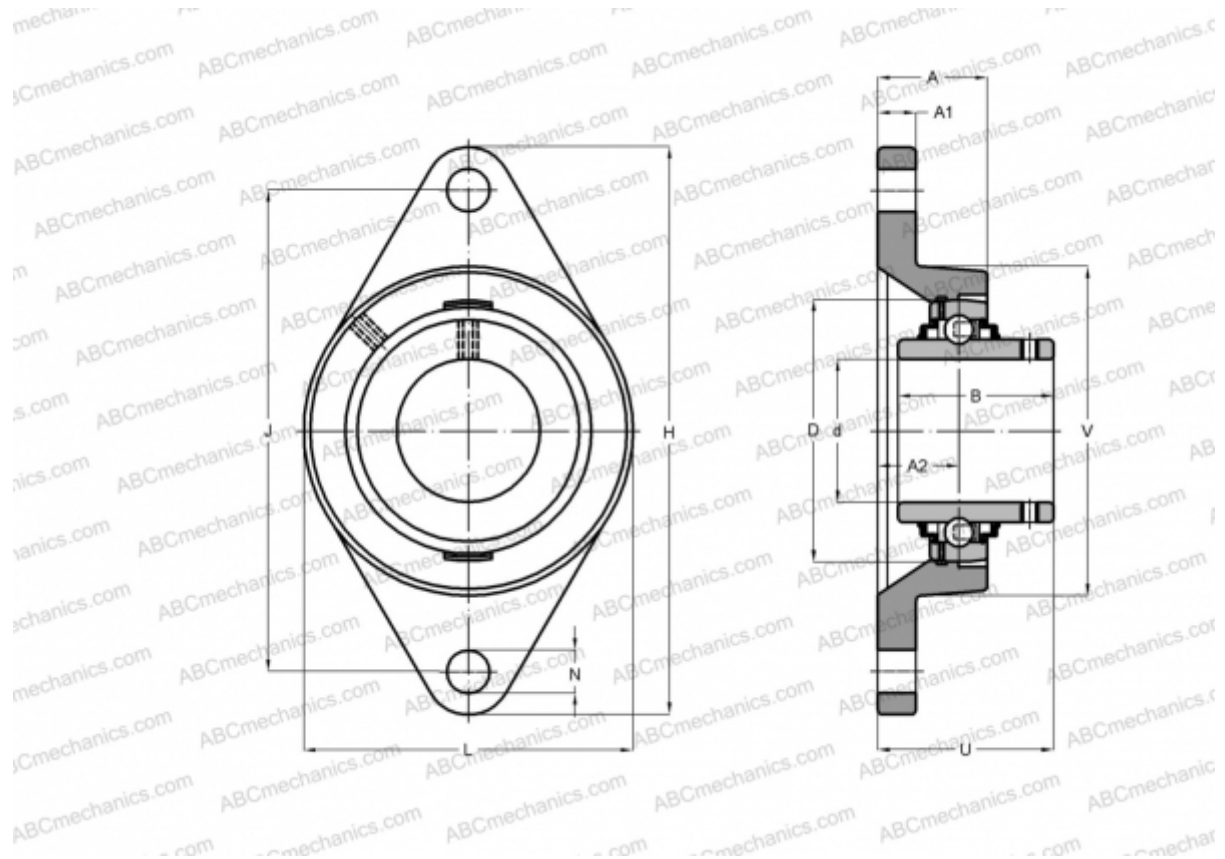


UCFL 312 ASAHI

Ball bearing units

TYPE: Housing units, Two-bolt flanged housing units, Cast iron housing, Radial insert ball bearing with grub screws in inner ring, Type UCFL (ASAHI)



Technical specification

DIMENSIONS, MM

d	60,000
D	130,000
B	71,000
L	160,000
H	270,000
A	56,000
J	212,000
A1	22,000
A2	26,000
N	31,000
U	78,000

WEIGHT, KG

Bearing	6,200
	UC 312

Housing

FL 312

MANUFACTURER

[ASAHI](#)