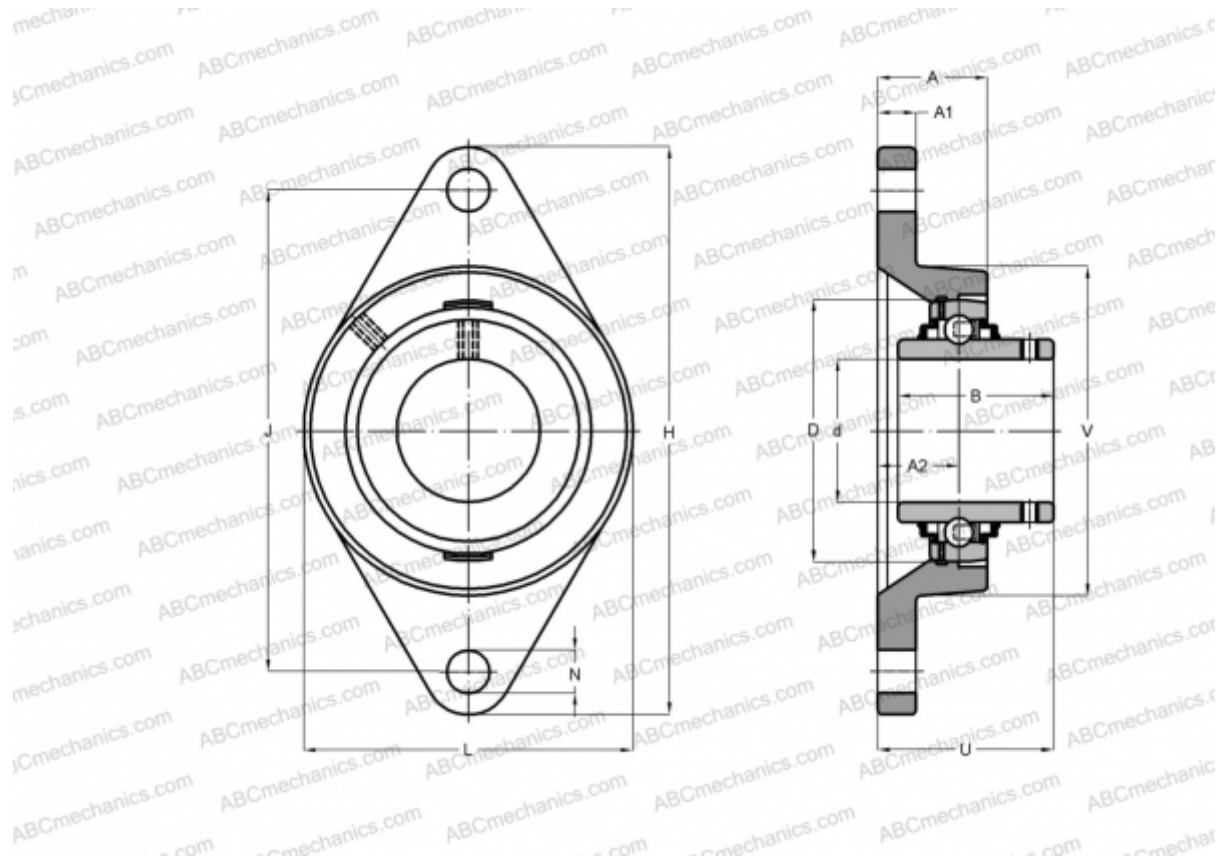


## UCFL 322 ASAHI

Ball bearing units

TYPE: Housing units, Two-bolt flanged housing units, Cast iron housing, Radial insert ball bearing with grub screws in inner ring, Type UCFL (ASAHI)



### Technical specification

#### DIMENSIONS, MM

d	110,000
D	240,000
B	117,000
L	300,000
H	470,000
A	96,000
J	390,000
A1	42,000
A2	46,000
N	44,000
U	131,000

#### WEIGHT, KG

Bearing	UC 322
---------	--------

Housing

FL 322

#### MANUFACTURER

[ASAHI](#)