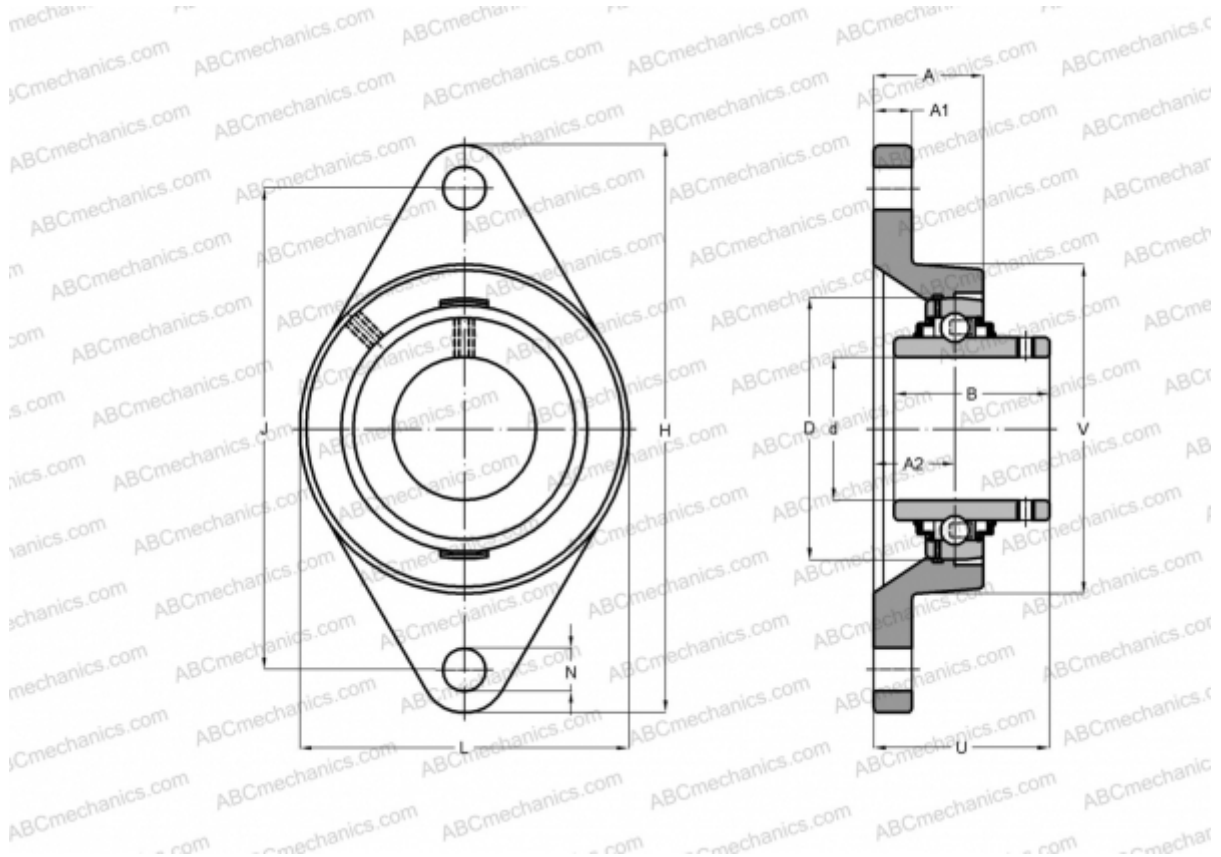


## UCFT 201 ASAHI

Ball bearing units

TYPE: Housing units, Two-bolt flanged housing units, Cast iron housing, Radial insert ball bearing with grub screws in inner ring, Type UCFT (ASAHI)



### Technical specification

#### DIMENSIONS, MM

d	12,000
D	40,000
B	26,000
L	60,000
H	112,000
A	25,000
J	76,200
A1	11,000
A2	10,000
N	10,500
U	33,100

#### WEIGHT, KG

0,413

Bearing

UCW 201

Housing

FT 203

#### MANUFACTURER

[ASAHI](#)