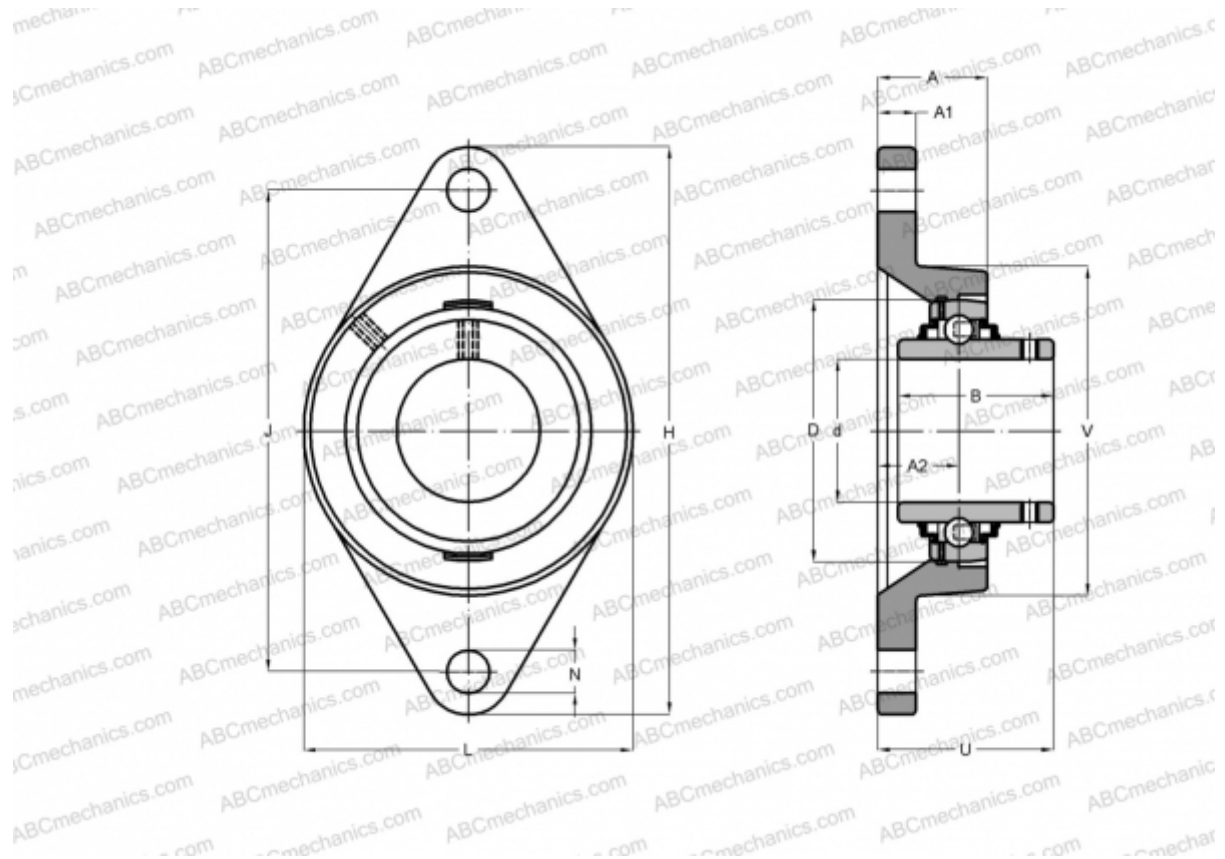


UCFT 203 ASAHI

Ball bearing units

TYPE: Housing units, Two-bolt flanged housing units, Cast iron housing, Radial insert ball bearing with grub screws in inner ring, Type UCFT (ASAHI)



Technical specification

DIMENSIONS, MM

d	17,000
D	40,000
B	26,000
L	60,000
H	112,000
A	25,000
J	76,200
A1	11,000
A2	10,000
N	10,500
U	33,100

WEIGHT, KG

Bearing 0,460

UCW 203

Housing

FT 203

MANUFACTURER

[ASAHI](#)