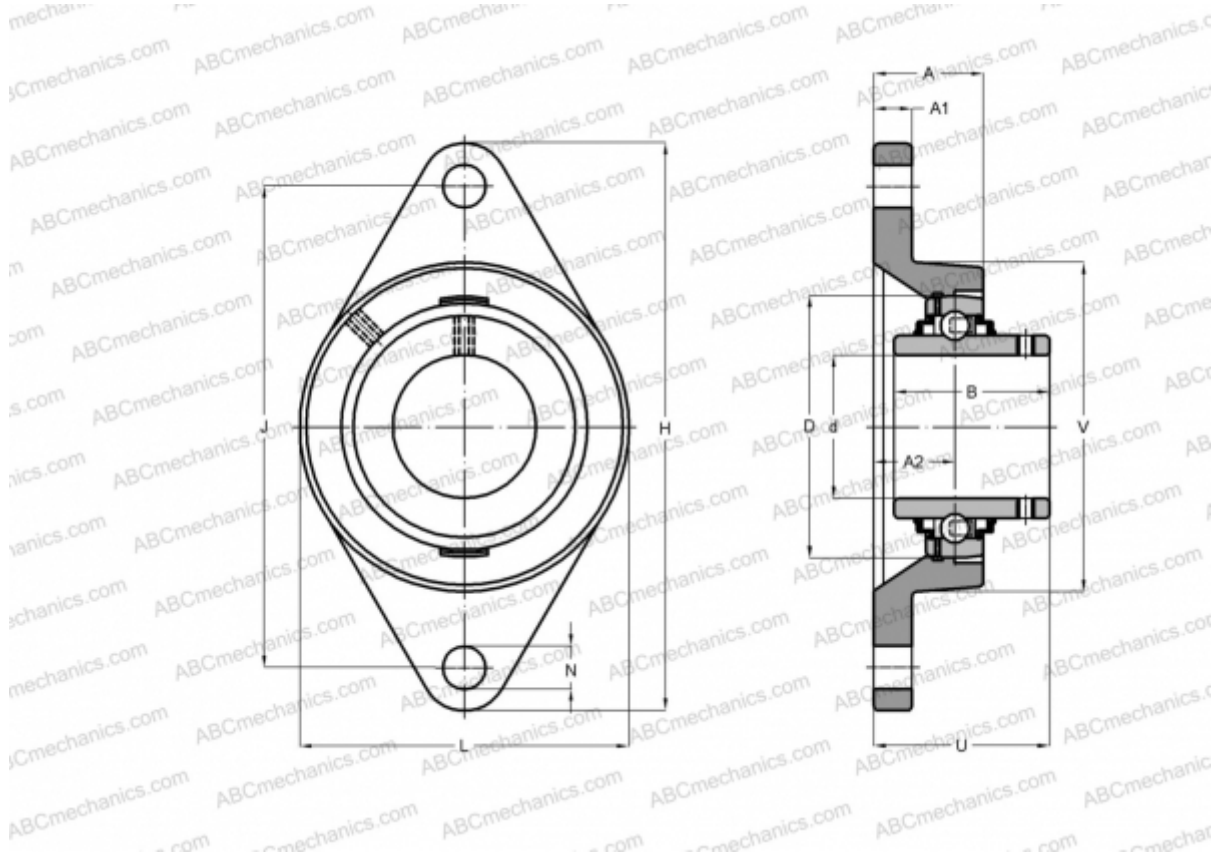


UCFT 209 ASAHI

Ball bearing units

TYPE: Housing units, Two-bolt flanged housing units, Cast iron housing, Radial insert ball bearing with grub screws in inner ring, Type UCFT (ASAHI)



Technical specification

DIMENSIONS, MM

d	45,000
D	85,000
B	49,200
L	111,000
H	179,000
A	40,000
J	148,400
A1	14,000
A2	19,000
N	16,000
U	52,000

WEIGHT, KG

	2,000
Bearing	UC 209

Housing

FT 209

MANUFACTURER

[ASAHI](#)