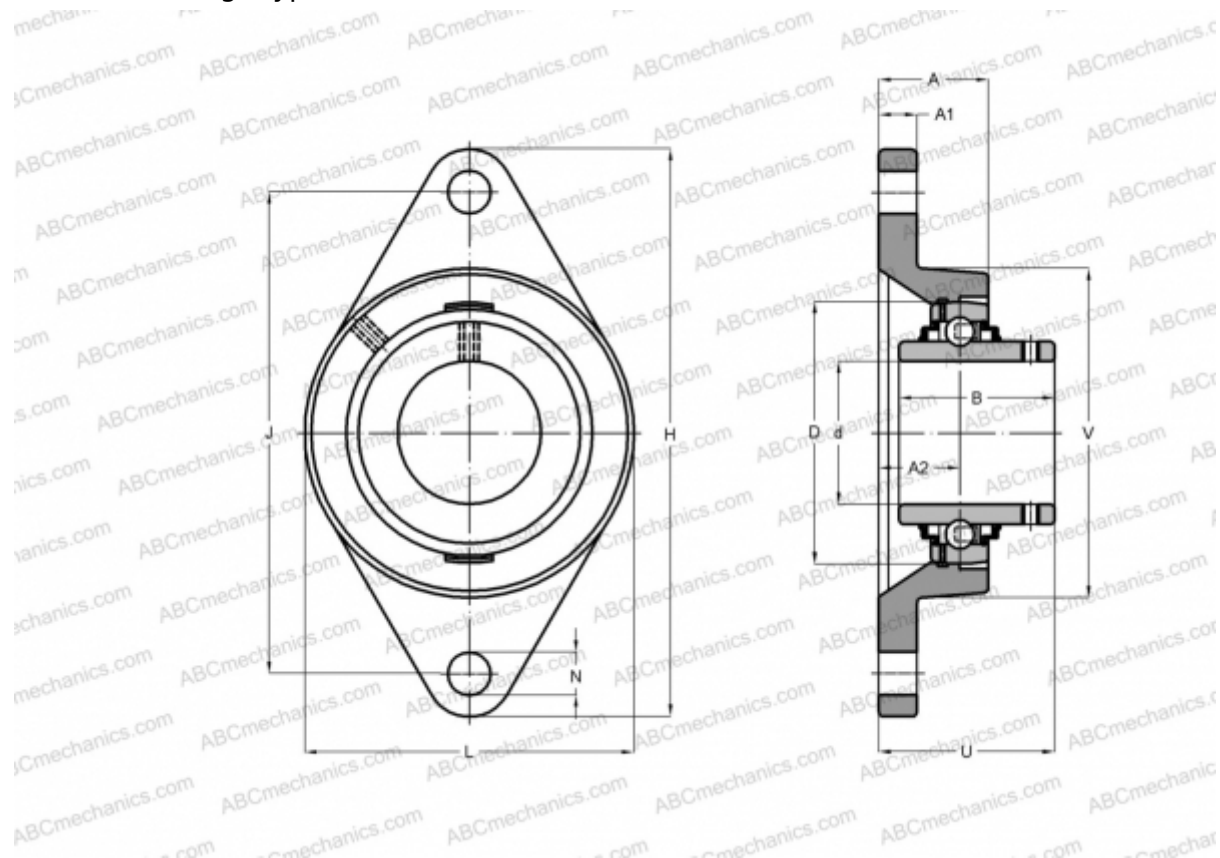


## UCFT 211 ASAHI

Ball bearing units

TYPE: Housing units, Two-bolt flanged housing units, Cast iron housing, Radial insert ball bearing with grub screws in inner ring, Type UCFT (ASAHI)



### Technical specification

#### DIMENSIONS, MM

d	55,000
D	100,000
B	55,600
L	133,000
H	216,000
A	44,000
J	184,200
A1	21,000
A2	22,200
N	18,000
U	58,800

#### WEIGHT, KG

	3,200
Bearing	UC 211

Housing

FT 211

**MANUFACTURER**

[ASAHI](#)