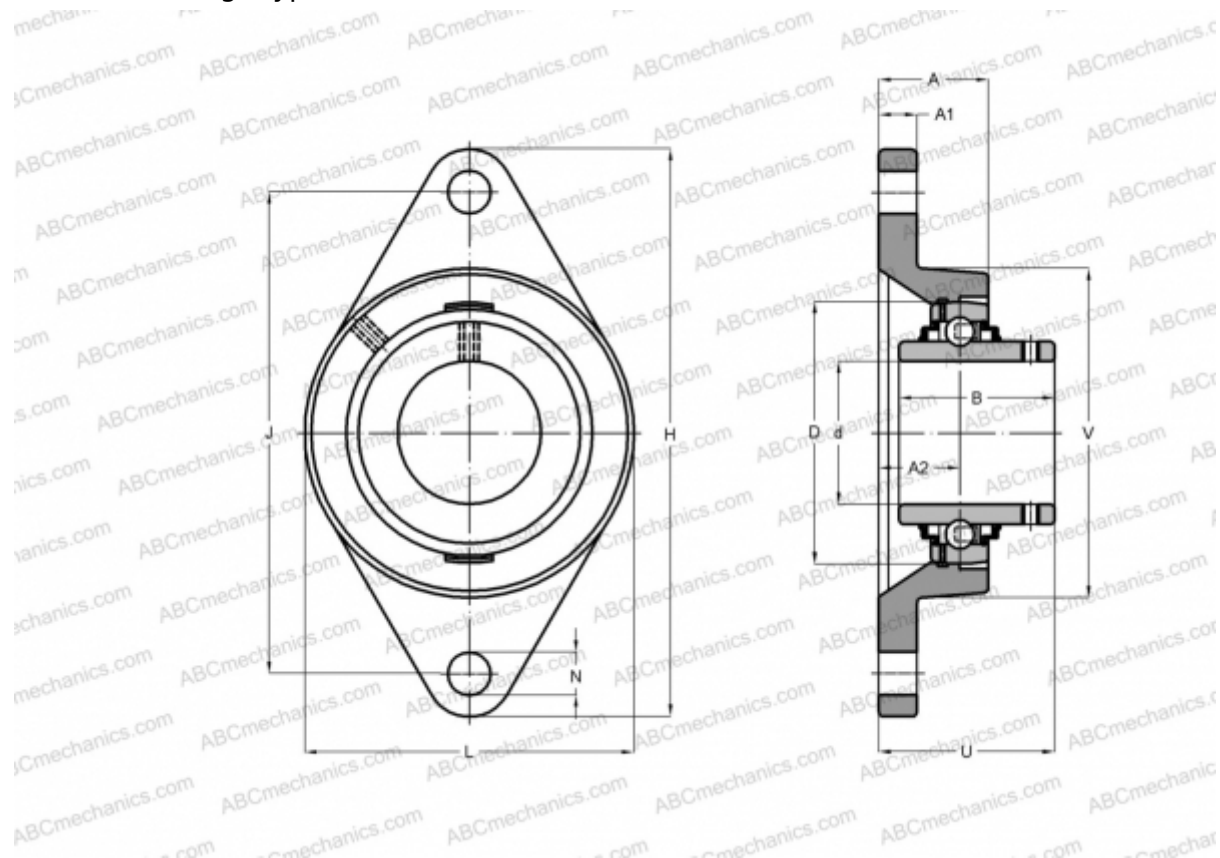


UCFL X09 ASAHI

Ball bearing units

TYPE: Housing units, Two-bolt flanged housing units, Cast iron housing, Radial insert ball bearing with grub screws in inner ring, Type UCFLX (ASAHI)



Technical specification

DIMENSIONS, MM

d	45,000
D	90,000
B	51,600
L	116,000
H	189,000
A	40,000
J	157,000
A1	14,000
A2	19,000
N	16,000
U	55,600

WEIGHT, KG

	2,400
Bearing	UC X09

Housing

FL X09

MANUFACTURER

[ASAHI](#)

REPLACES

UCFLX09