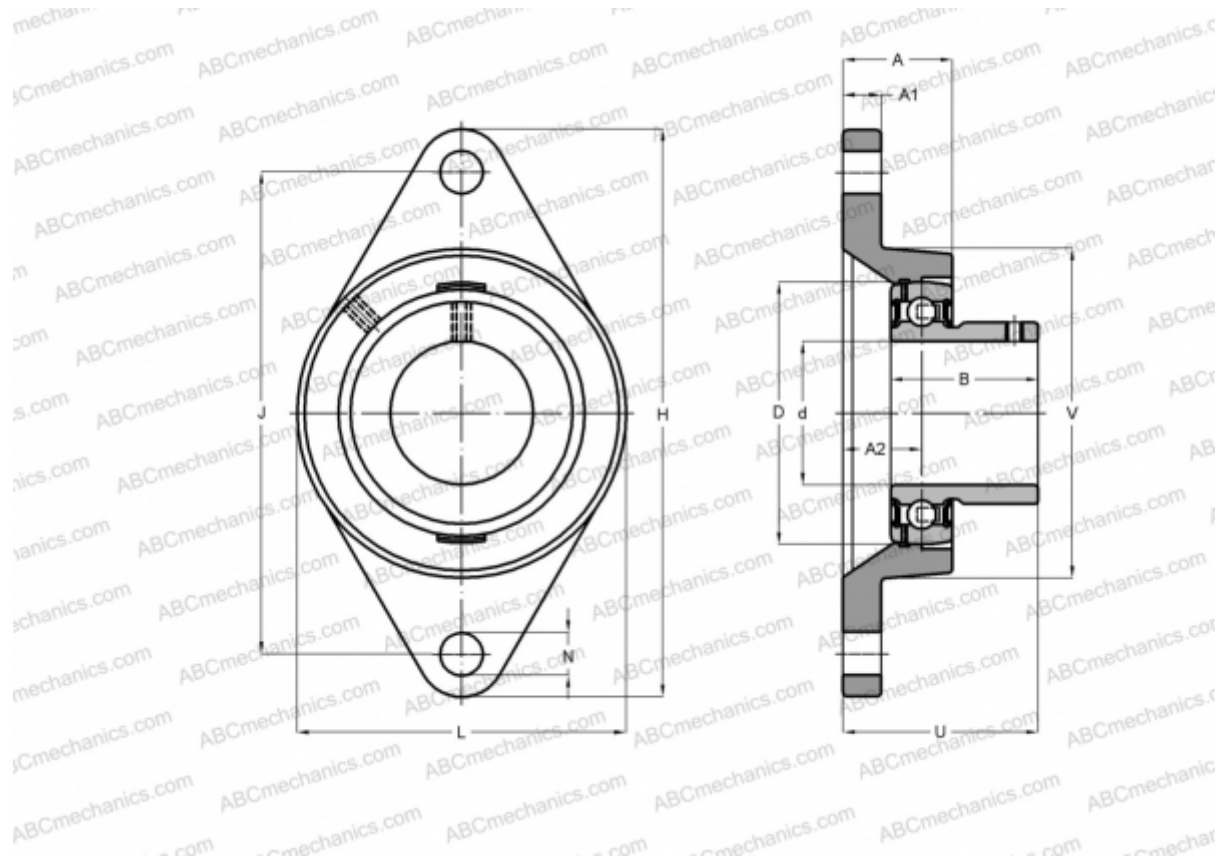


BFL 204 ASAHI

Ball bearing units

TYPE: Housing units, Two-bolt flanged housing units, Cast iron housing, Radial insert ball bearing with grub screws in inner ring, Type BFL (ASAHI)



Technical specification

DIMENSIONS, MM

d	20,000
D	47,000
B	24,700
L	60,000
H	113,000
A	25,500
J	90,000
A1	12,000
A2	15,000
N	12,000
U	32,700

WEIGHT, KG

Bearing	B 4
Housing	FL 204

Housing

FL 204

MANUFACTURER

[ASAHI](http://www.asahi.com)