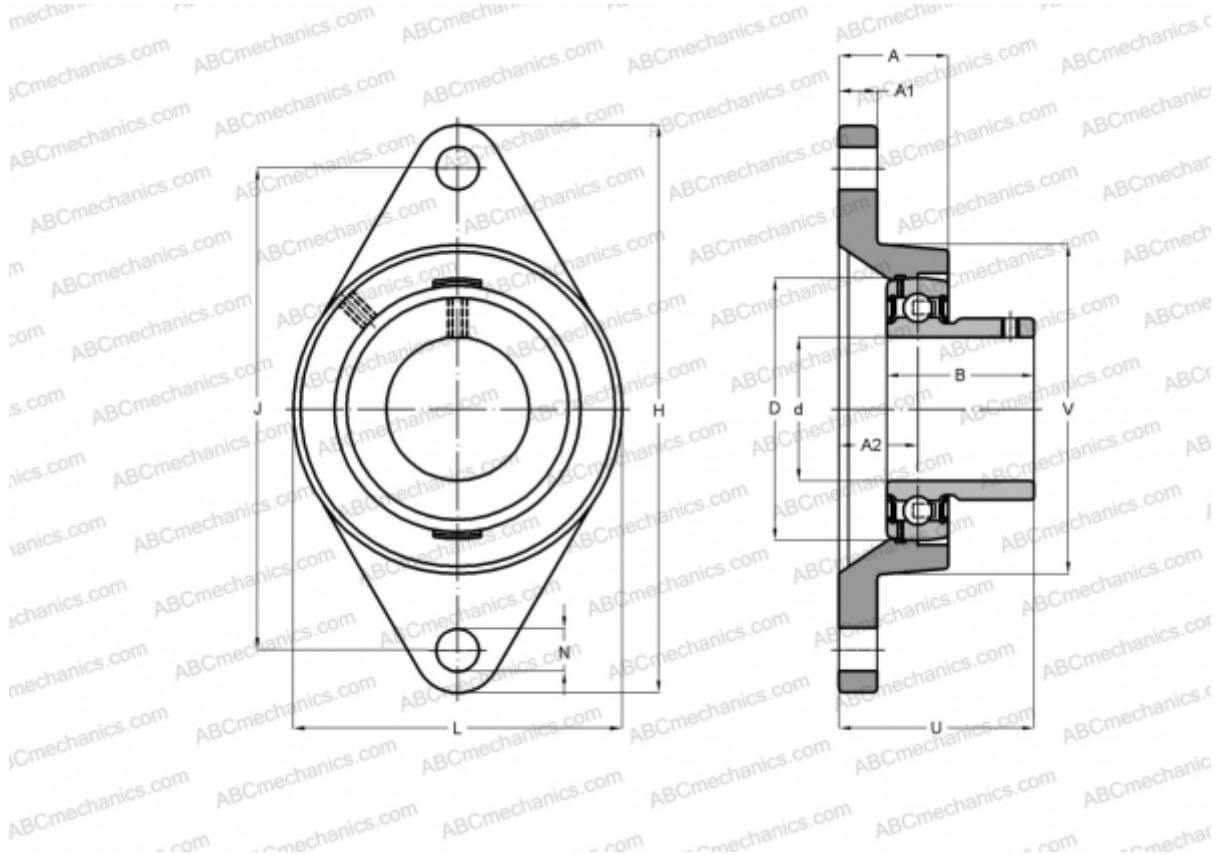


## BFL 205 ASAHI

Ball bearing units

TYPE: Housing units, Two-bolt flanged housing units, Cast iron housing, Radial insert ball bearing with grub screws in inner ring, Type BFL (ASAHI)



### Technical specification

#### DIMENSIONS, MM

d	25,000
D	52,000
B	27,000
L	68,000
H	130,000
A	27,000
J	99,000
A1	14,000
A2	16,000
N	16,000
U	35,500

**WEIGHT, KG** 0,600

Bearing B 5

Housing

FL 205

**MANUFACTURER**

[ASAHI](#)